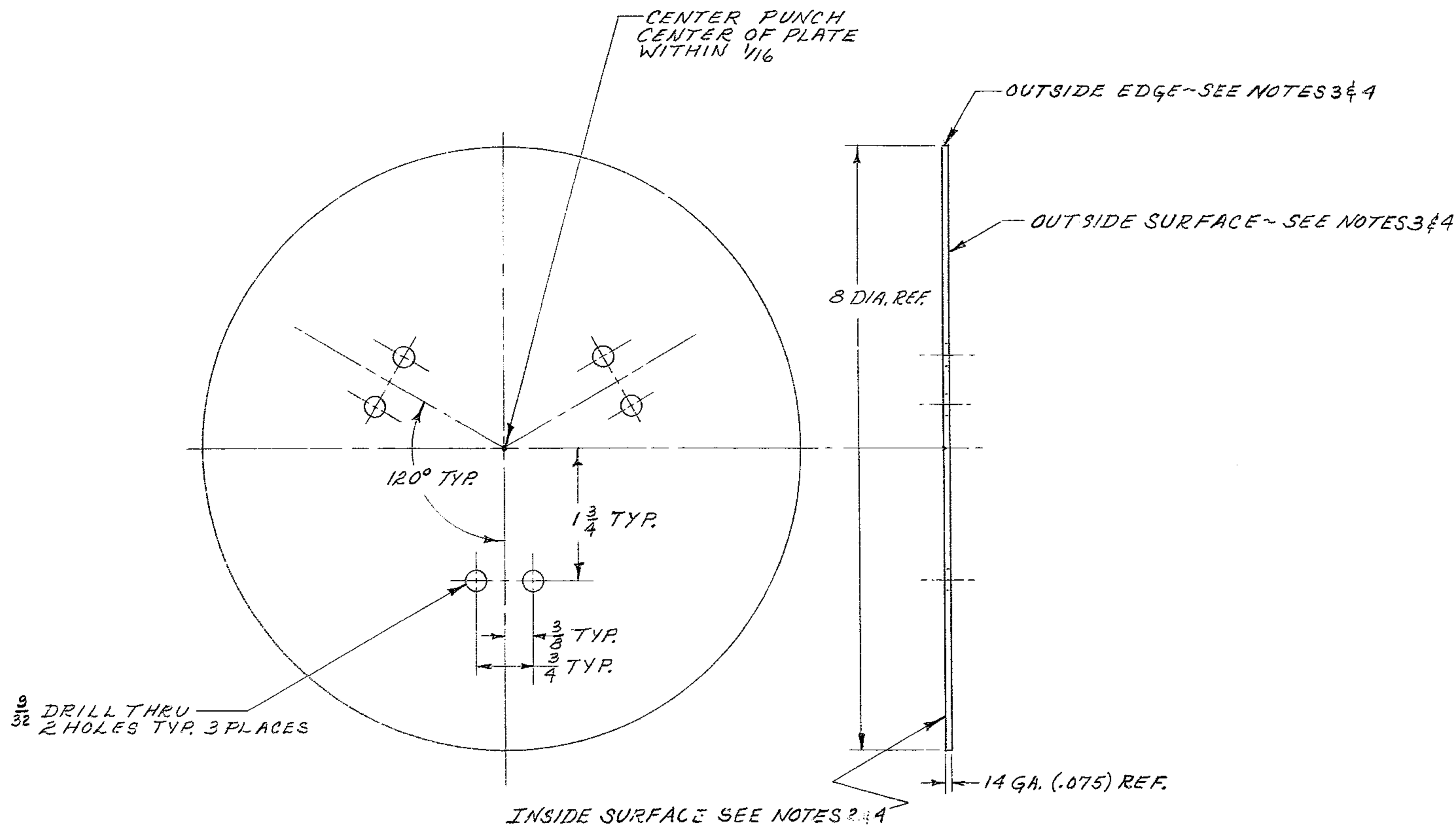


REVISIONS			
ZONE	LTR.	DESCRIPTION	DATE



- NOTES:**
- MATERIAL ~ 14 GA. (.075) x 8" DIA. ~ ASTM-A415.
 - INSIDE SURFACE OF COVERS FURNISHED ON ASS'Y 2150.287E002 (KPNO) TO BE FINISH PAINTED WITH NEXTEL BRAND ~ VELVET COATING 101-C10 BLACK ~ MFD BY "3M" CO..
 - OUTSIDE EDGE & SURFACE OF COVERS FURNISHED ON ASS'Y 2150.287E002 (KPNO) TO BE FINISH PAINTED WITH X4369 IVORY (10R10) ACRYLIC SEMIGLOSS ENAMEL MFD BY FARWEST PAINT CO..
 - COVERS FURNISHED ON ASS'Y 2150.287E102 (CT10) TO BE PRIMER PAINTED ONLY ALL OVER WITH TT-P-664 SYN. PRIMER & EXPORT PACKED.

NEXT ASS'Y 2150.287D202 (WGD 305246)

1172

FIND NO.	PART NO.	DESCRIPTION	QTY	MATERIAL	UNIT WEIGHT
LIST OF MATERIAL (LM)					
LIMITS ON MACHINED DIMENSIONS EXCEPT AS NOTED		WESTERN HEAVY MACHINERY DIVISION GEAR CORPORATION EVERETT, WASHINGTON			
ANGULAR = ± 1° 0'		COVER PLATE COVER ASS'Y			
LINEAR:					
X = ± .1	XXX = ± .010				
XX = ± .03	FRACTIONAL = ± 1/32	DRAWN Moore 2/9/73	CHECK	COVER ASS'Y	
BREAK ALL SHARP EDGES		ENGR			
MATERIAL		WGD 305247		SIZE	CODE IDENT NO.
SEE NOTES		APPROVED Rok 2-13-73		D	16603
				SCALE 1/1	WT 1 1/2 LB
				SHEET 1 OF 1	