

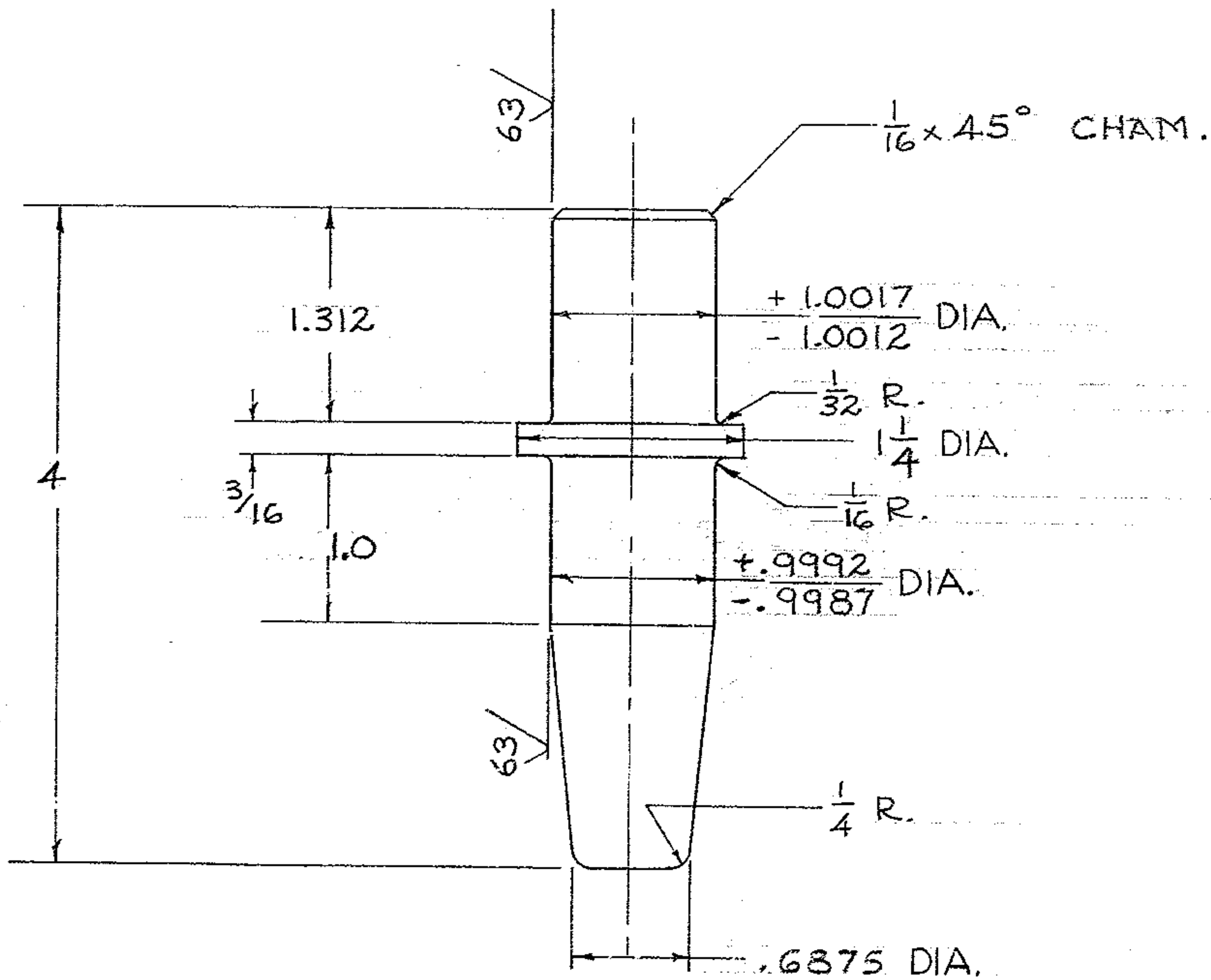
4

3

2

1

REVISIONS				
ZONE	LTR	DESCRIPTION	DATE	APPROVED
	A	REVISED PER AURA APPROVED PRINT	5-20-69	
		DATED 4-14-69		
A-2	B	NEXT ASSY DWG NO. WAS 2150.202E002	2-1-71	JW



NOTE:

T. SURFACE FINISH 250 EXCEPT AS SHOWN.

REF. FILE	1178
-----------	------

NEXT ASSY: 2150.287E002 W.G. N. 103032

FIND NO.	PART NO.	DESCRIPTION	QTY	MATERIAL	CODE IDENT
LIST OF MATERIAL (LM)					
LIMITS ON MACHINED DIMENSIONS EXCEPT AS NOTED ANGULAR = ± 1° 0'		150 IN STELLAR TELESCOPE MOUNTING		Western GEAR CORPORATION	
LINEAR: .X = ± .1 .XXX = ± .010 .XX = ± .03 FRACTIONAL = ± 1/32		DRAWN WESTOM	3/6/69	TAPER PIN CASSEGRAIN CAGE SUPPORT ASSY	
BREAK ALL SHARP EDGES		CHECK ENGR <i>Wingman</i>	3/10/69		
MATERIAL		W.G. D-107,675		SIZE	CODE IDENT NO.
STL. AISI 1018		APPROVED		C 16603	2150.287C009
1 1/4 DIA x 4 LG.				REV	B
				SCALE FULL	WT .5 LB SHEET 1 OF 1

WESTERN GEAR CORPORATION
CONSTRUCTION PROJECTS
DEPARTMENT
APPROVED FOR
PROCUREMENT

G. Russo DATE 11/29/69

D-107,675