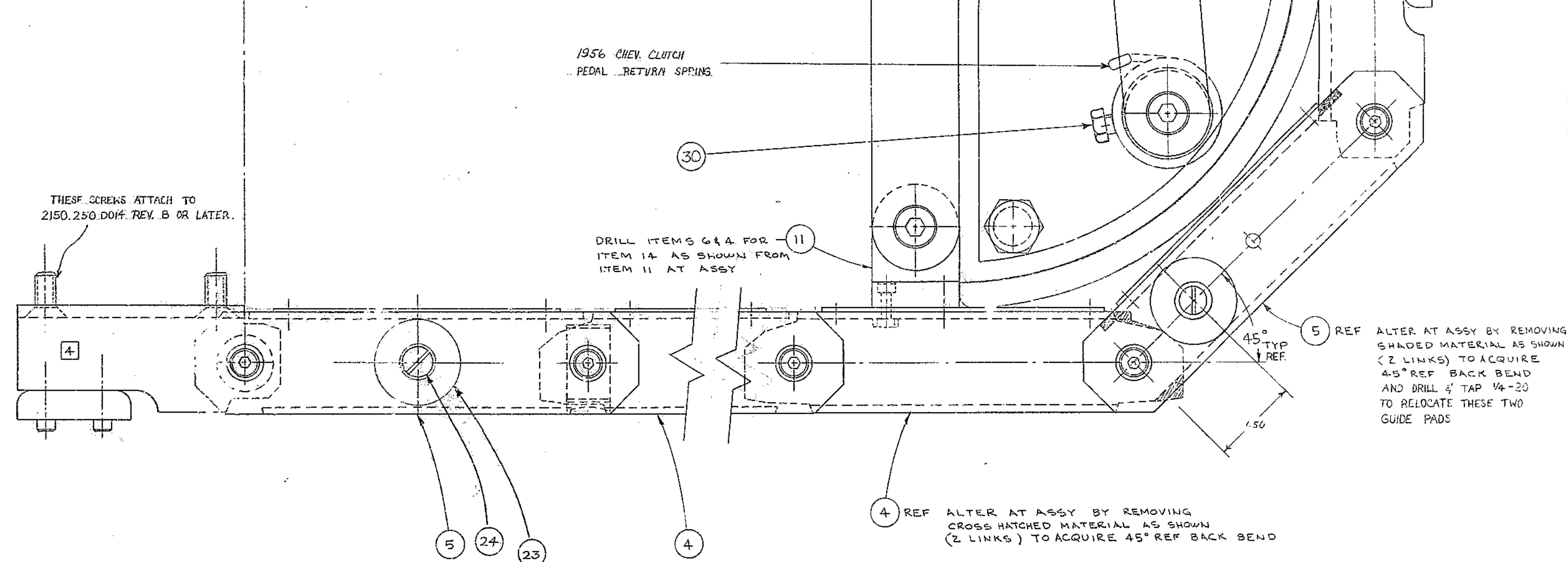
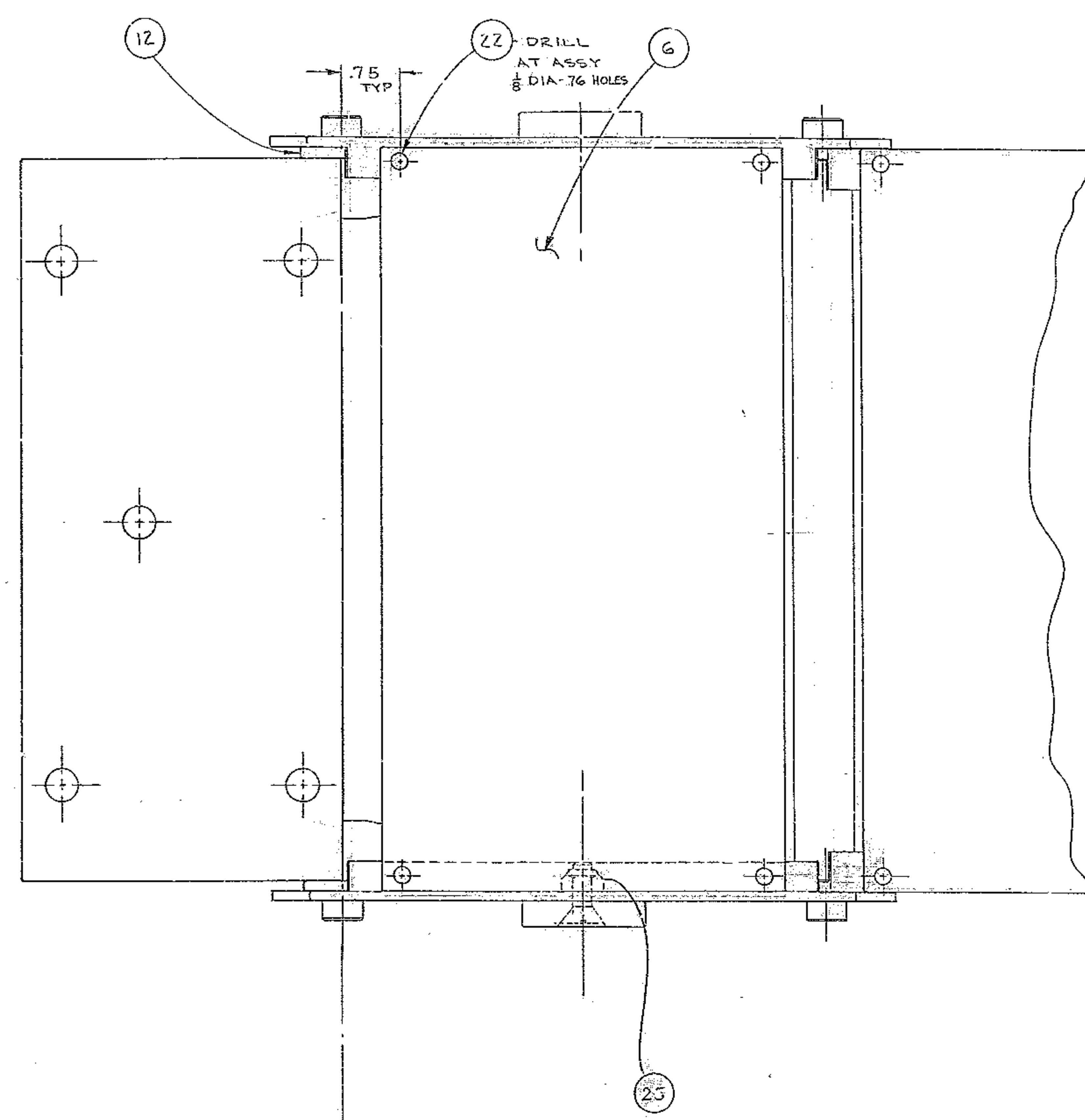
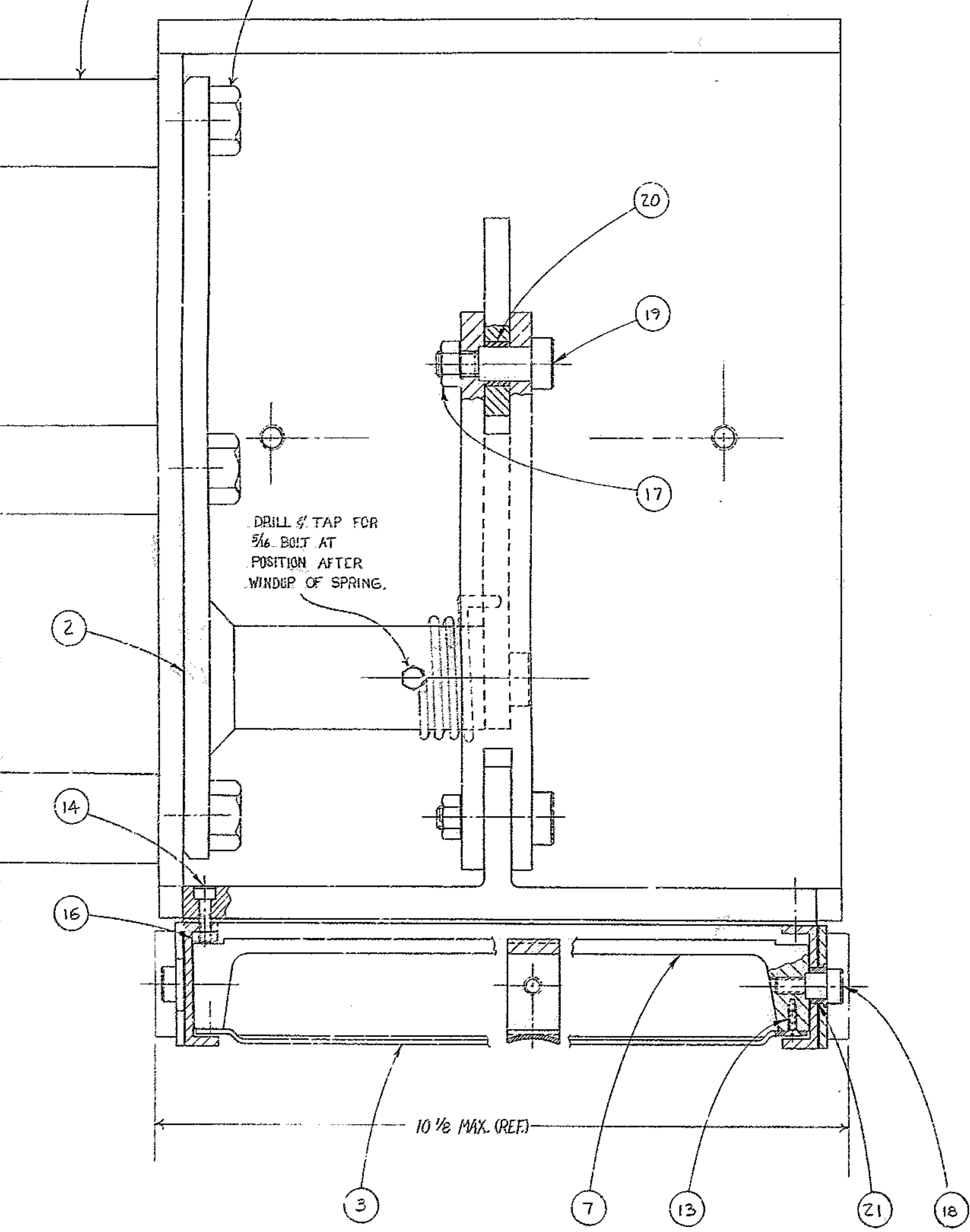


BILL OF MATERIAL

ITEM	QTY	MATERIAL	DESCRIPTION	WEIGHT
------	-----	----------	-------------	--------

ADJUST THE LENGTH OF THESE SPACERS AS NECESSARY TO CENTER THE $\frac{1}{4}$ " IN ITS GUIDE WHEN THE GUIDE IS ATTACHED TO THE HORSESHOE.

THE LENGTH OF THESE BOLTS MUST BE CHECKED CAREFULLY TO ASSURE THAT THEY DO NOT PENETRATE THRU THE UPPER CASS SUPPORT SHELL AND PRESS AGAINST THE LOWER RING GIRDER.



- 1-BREAK SHARP EDGES
- 2-IDENTIFY BY STAMP #1 AT LOCATIONS 4, "AURA INC. MADE IN U.S.A."
- 3-STAMP-MATCH-MARKS-ON-ALL-MATING-PARTS-WHERE-NECESSARY
- 4-PROJECT DRAWINGS SEE B/M 2150.284-A 202
- 5-FOR NEXT ASSY. SEE 2150.250.E002 (SM 5017)

TOLERANCES UNLESS OTHERWISE NOTED			
DECIMAL DIMENSIONS	0.005 ± 0.001	0.000 ± 0.005	
FRACTIONAL DIMENSIONS	UP TO 1/16	± 1/64	
	5/16 & OVER	± 1/16	
ANGLES	± 0°-30'		
ALL SURFACES	TO HAVE 125 FINISH		
UNLESS OTHERWISE NOTED.			

KITT PEAK NATIONAL OBSERVATORY			
OPERATED BY THE ASSOCIATION OF UNIVERSITIES FOR RESEARCH IN ASTRONOMY, INC.			
UNDS CONTRACT WITH NATIONAL SCIENCE FOUNDATION			
150" TELESCOPE.	REF FILE	1177	
NAME EAST DECLINATION CABLE WRAP-UP ASSY	SCALE	FULL	PRINT ISSUED
DESIGNED BY	DATE	APPROVED BY	DATE
BY	12-11-71	DATE	7-7-72
REVISION	BY	DATE	BY
A	PICTURE CHG ITEM 15	0784	2-21-72
B	ADD ITEMS 23 THRU 30	2288	2-23-72
LET.	REVISION	BY	DATE