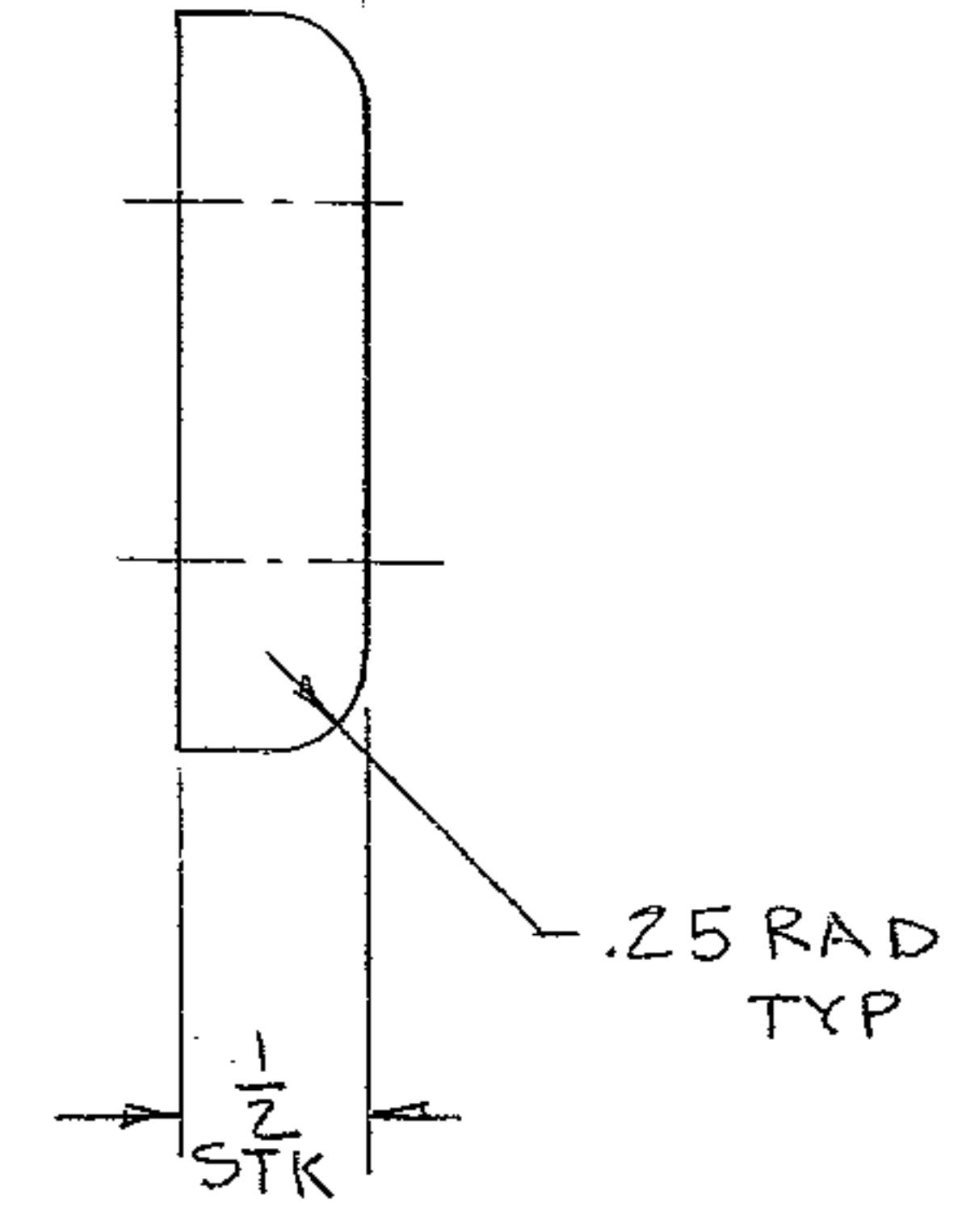
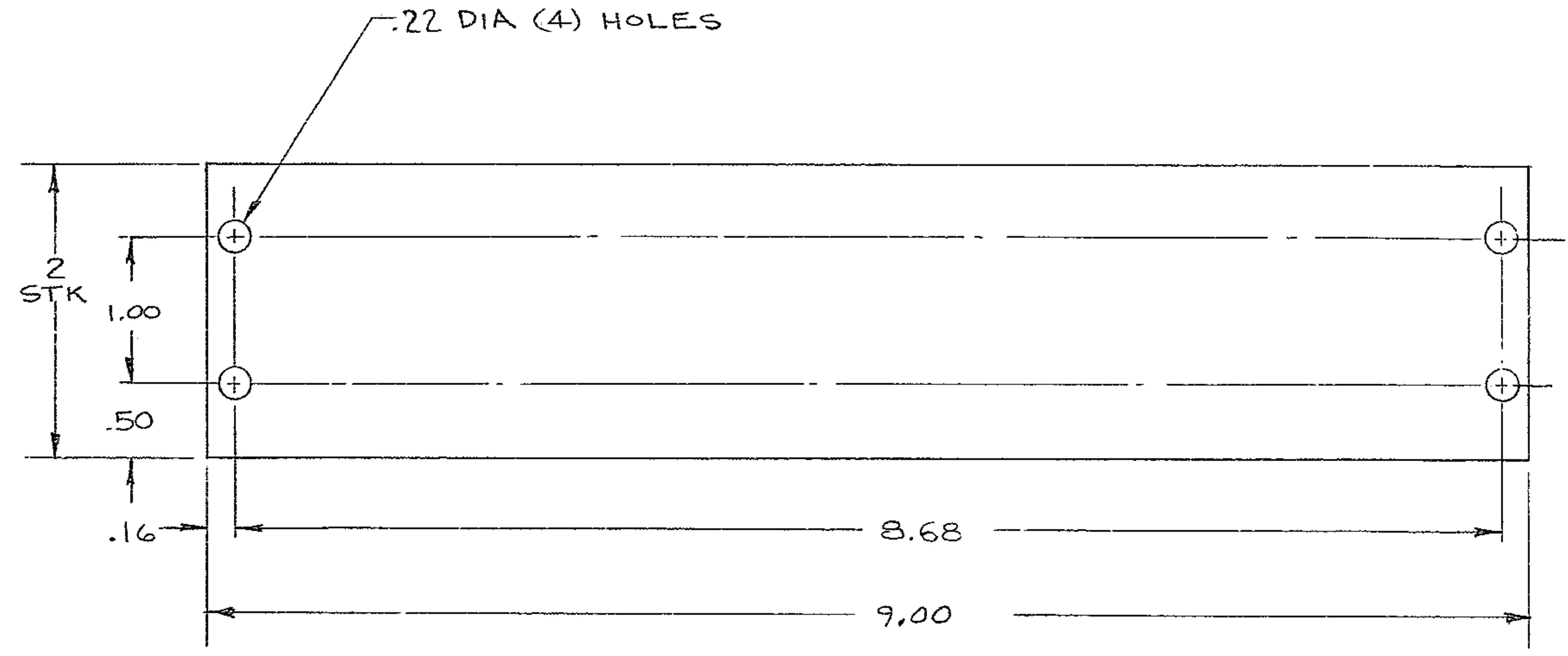


BILL OF MATERIAL

| ITEM | QTY. | MATERIAL | DESCRIPTION | WEIGHT |
|------|------|----------|-------------|--------|
|------|------|----------|-------------|--------|



MAT'L: 1/2 X Z CRS C 1018
 Z REQ'D, CD PLATE

6. DIM. APPLY AFTER PLATING.
 5-BREAK SHARP EDGES .03
 4-IDENTIFY BY _____ AT LOCATION 4, "AURA-INC. MADE IN U.S.A."
 3-STAMP MATCH MARKS ON ALL MATING PARTS WHERE NECESSARY.
 2-PROJECT DRAWINGS _____
 1-FOR NEXT ASSY. SEE 2150.284-E202
- NOTES-

| TOLERANCES UNLESS OTHERWISE NOTED | | | | |
|-------------------------------------------------------------------------------------|--------------------|------|---------|------------|
| DECIMAL DIMENSIONS 00.00 ± .010 00.000 ± .003 | | | | |
| FRACTIONAL DIMENSIONS UP TO 18" ± 1/64 18" TO 60" ± 1/32 50" & OVER ± 1/16 | | | | |
| ANGLES ± 0° - 30' | | | | |
| ALL SURFACES TO HAVE 125/ FINISH UNLESS OTHERWISE NOTED. | | | | |
| A | 8.68 DIM WAS 8.500 | 0786 | 2-18-72 | <i>RAC</i> |
| LET. | REVISION | ECR | DATE | BY |

KITT PEAK NATIONAL OBSERVATORY
 OPERATED BY THE ASSOCIATION OF UNIVERSITIES FOR RESEARCH IN ASTRONOMY, INC.
 UNDER CONTRACT WITH NATIONAL SCIENCE FOUNDATION

150" TELESCOPE REF. FILE 1177

NAME BAR, CLAMP - E. DEC. CABLE WRAP-UP ASSY SCALE FULL PRINT ISSUED

| | | | | | |
|--------------------------------|------------------|--------------------------|-----------------|----------------------------------------|------------------|
| DESIGNED BY <i>9/13/71</i> | DATE 12-28-71 | APPROVED BY | DATE | DRAWING NUMBER 2150.284-C212 | REV. A |
| DRAWN BY <i>8/15/71</i> | DATE 12-29-71 | APPROVED BY <i>EG</i> | DATE 2-3-72 | | |
| CHECKED BY <i>P. CHADD.</i> | DATE 2-3-72 | APPROVED BY <i>EG</i> | DATE 1-21-72 | | |