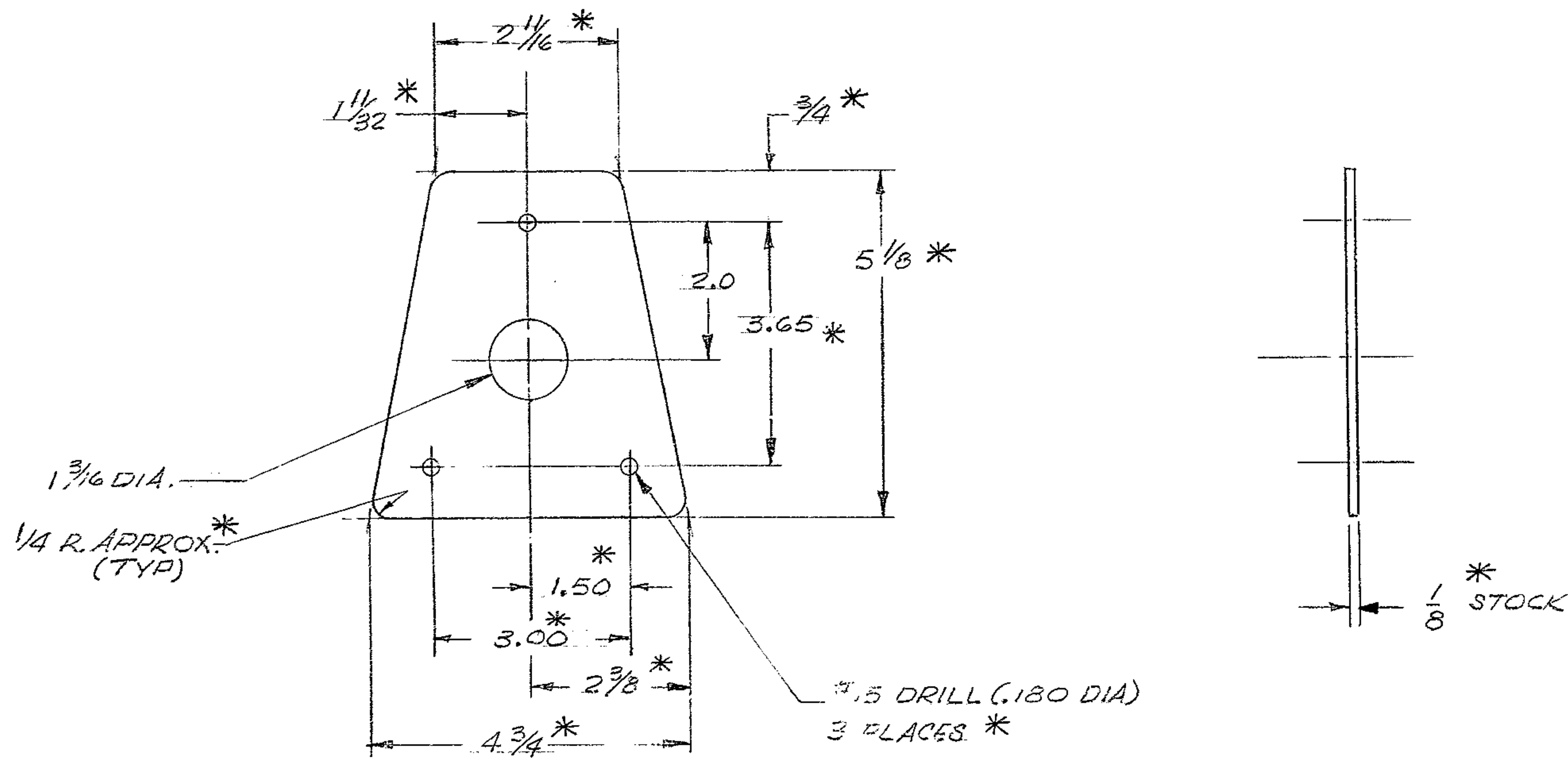


BILL OF MATERIAL

ITEM	QTY.	MATERIAL	DESCRIPTION	WEIGHT
------	------	----------	-------------	--------



NOTES:
 1. MATERIAL: 6061-T6 AL. ALLOY SHEET STOCK $\frac{1}{8}$ T
 2. FINISH: ANODIZE, HARD, BLACK
 3. DIMENSIONS MARKED * , SAME AS PART NO. 2150.284-C106

FOR ASSEMBLY SEE 2120-E145

LET.	REVISION	ECR	DATE	BY	TOLERANCES UNLESS OTHERWISE NOTED	KITT PEAK NATIONAL OBSERVATORY	
					DECIMAL DIMENSIONS 00.00 ± .010 00.000 ± .003	OPERATED BY THE ASSOCIATION OF UNIVERSITIES FOR RESEARCH IN ASTRONOMY, INC. UNDER CONTRACT WITH NATIONAL SCIENCE FOUNDATION	
					FRACTIONAL DIMENSIONS UP TO 18" ± 1/64 18" TO 50" ± 1/32 50" & OVER ± 1/16	150" STELLAR TELESCOPE REF. FILE 1177	
					BREAK SHARP EDGES .02	NAME PNEUMATIC FITTING ADAPTER PLATE DECLINATION AXIS WEST CABLE WRAP-UP ASSY SCALE HALF SIZE	
					ALL SURFACES TO HAVE \checkmark FINISH UNLESS OTHERWISE NOTED.	PRINT ISSUED	
					WEIGHT = .29 LB.	DESIGNED BY DATE 0-7-70	APPROVED BY DATE 2-26-71
						DRAWN BY DATE 10-7-70	APPROVED BY DATE 4-2-91
						CHECKED BY DATE 3-1-71	APPROVED BY DATE
						DRAWING NUMBER 2150.284C107	
						REV.	