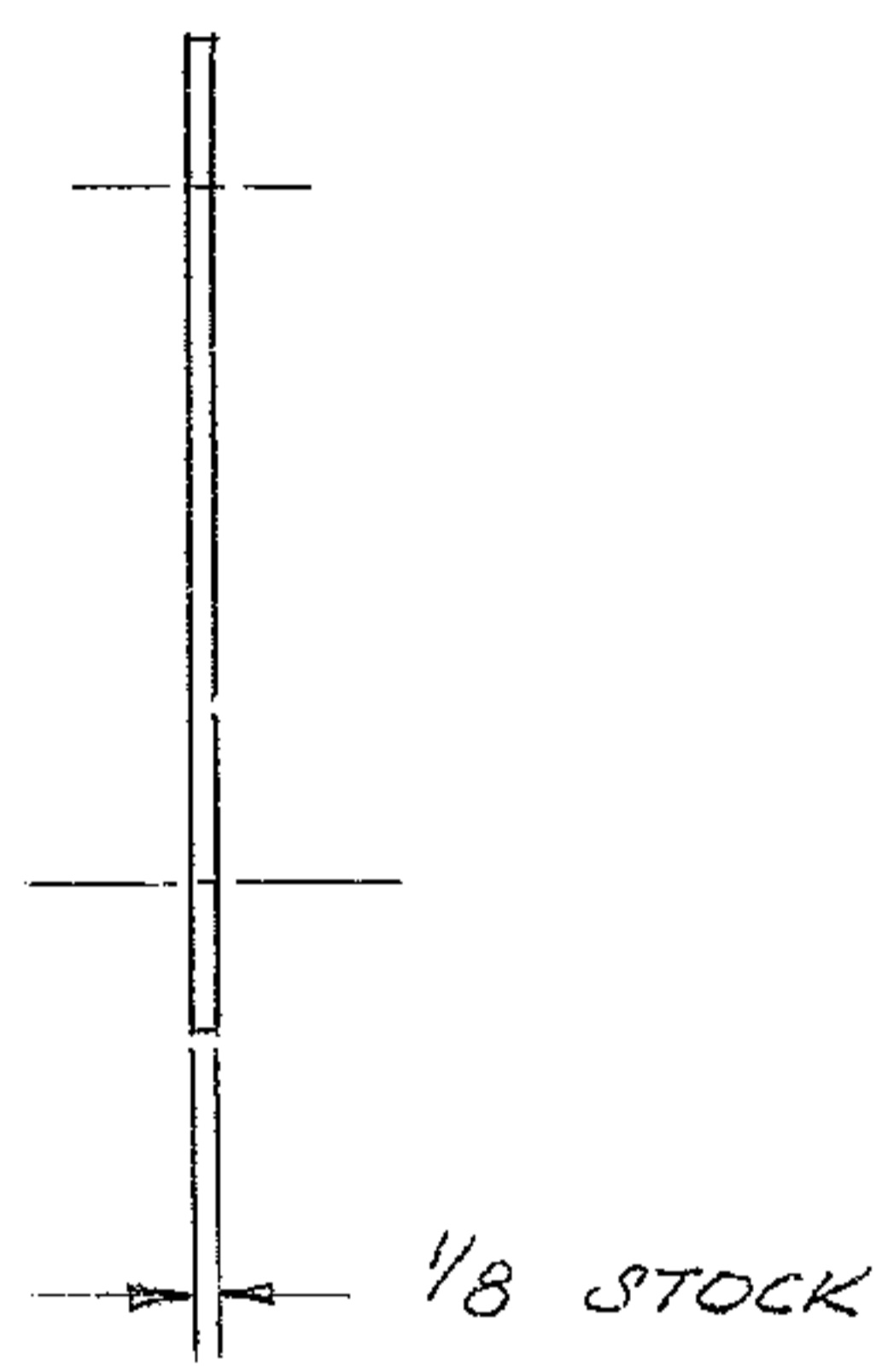
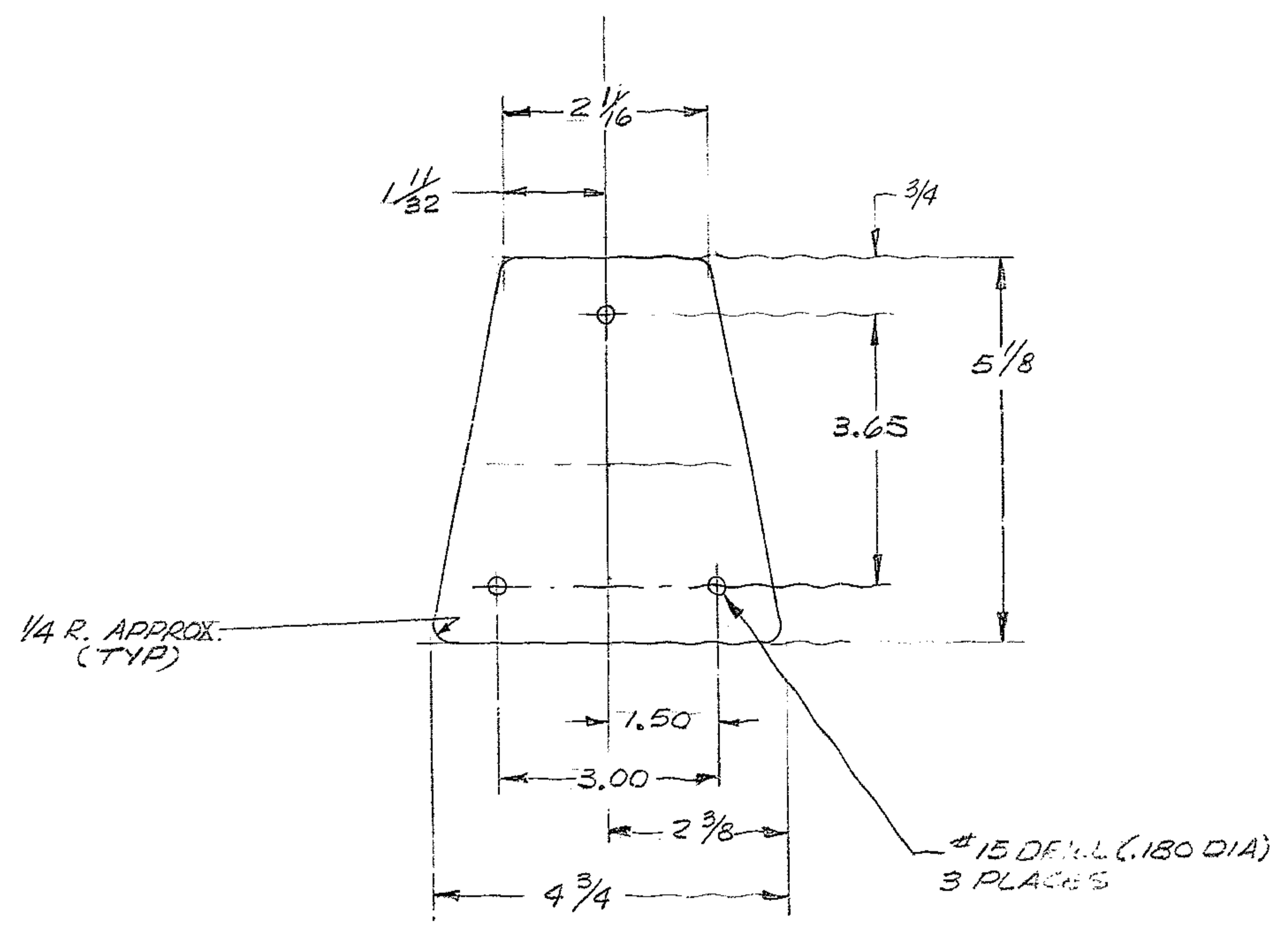


# BILL OF MATERIAL

ITEM	QTY.	MATERIAL	DESCRIPTION	WEIGHT
------	------	----------	-------------	--------



- NOTES:  
 1. MATERIAL: 6061-T6 AL. ALLOY SHEET STOCK 1/8 T.  
 2. FINISH: ANODIZE, BLACK, HARD  
 3. SEE NOTE #3 ON DRAWING 2150.284-C107

FOR ASSEMBLY SEE 2120-E145

<p><b>TOLERANCES UNLESS OTHERWISE NOTED</b></p> <p>DECIMAL DIMENSIONS 00.00 ± .010 00.000 ± .003</p> <p>FRACTIONAL DIMENSIONS UP TO 18' ± 1/64 18' TO 50' ± 1/32 50' &amp; OVER ± 1/16</p> <p>BREAK SHARP EDGES .02</p> <p>ALL SURFACES TO HAVE 125 ✓ FINISH UNLESS OTHERWISE NOTED.</p>				<p><b>KITT PEAK NATIONAL OBSERVATORY</b></p> <p>OPERATED BY THE ASSOCIATION OF UNIVERSITIES FOR RESEARCH IN ASTRONOMY, INC. UNDER CONTRACT WITH NATIONAL SCIENCE FOUNDATION</p>	
<p>NAME: FITTING ADAPTER PLATE DECLINATION AXIS, WEST CABLE WRAP-UP ASSEMBLY</p>				<p>REF. FILE: 1177</p>	
				<p>SCALE: HALF SIZE</p>	
<p>WEIGHT: .29 LB</p>				<p>DESIGNED BY: [Signature] DATE: 6-7-70</p>	
				<p>APPROVED BY: F. HEIDY DATE: 2-26-71</p>	
<p>LET. REVISION ECR DATE BY</p>				<p>DRAWING NUMBER: 2150.284-C106</p>	
				<p>CHECKED BY: [Signature] DATE: 5-1-71</p>	