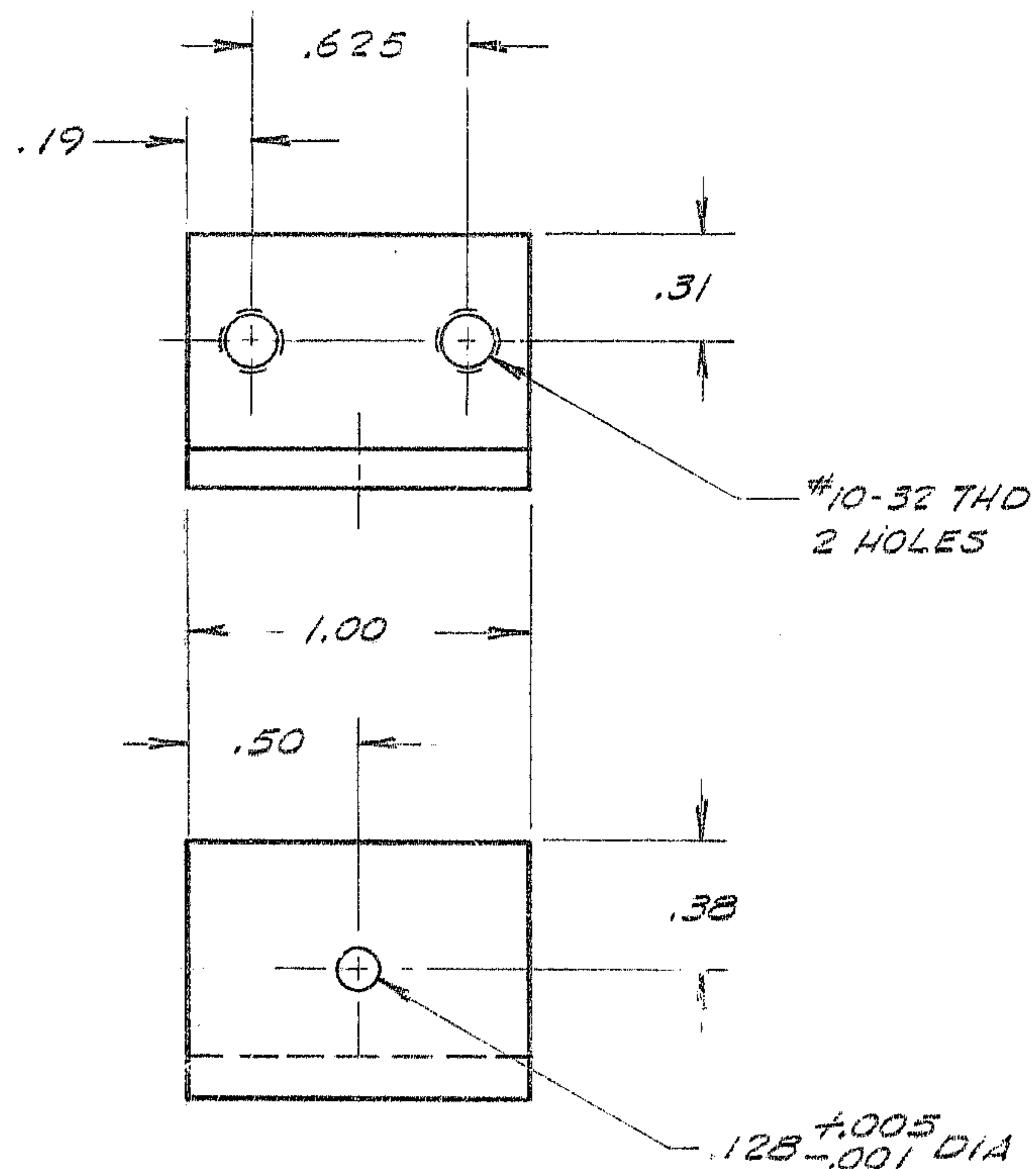


NOTES: UNLESS OTHERWISE NOTED

1. REMOVE ALL BURRS AND SHARP EDGES $\frac{.010}{125}$ R MAX
2. MACHINED SURFACE ROUGHNESS $\frac{125}{125}$
3. MATERIAL: $\frac{3}{4} \times \frac{3}{4} \times \frac{1}{8}$ AL ALY ANGLE-TYPE 6063-T52
4. FINISH: BLACK SULFURIC ANODIZE

REVISIONS				
LTR	DESCRIPTION	ECR	DATE	BY/APVD



TOLERANCES UNLESS OTHERWISE NOTED			KITT PEAK NATIONAL OBSERVATORY OPERATED BY THE ASSOCIATION OF UNIVERSITIES FOR RESEARCH IN ASTRONOMY, INC. UNDER CONTRACT WITH NATIONAL SCIENCE FOUNDATION		
DECIMALS	FRACTIONS	ANGULAR			
.XX \pm .03	\pm —	\pm 0° 30'	NEXT ASSEMBLY		
.XXX \pm .010			2150.284-B111		
NAME			REF FILE		
HOLDER-CABLE CLAMP			1177		
SCALE 2/1	DESIGNED BY	DATE	APPROVED BY	DATE	DWG NO.
PRINT ISSUED	GRIFITH	5-3-79	S.S.C. [signature]	May 10, 79	2150.284-B110
	DRAWN BY	DATE	APPROVED BY	DATE	RELEASE DATE
	GRIFITH	5-3-79			5-11-79
	CHECKED BY	DATE	APPROVED BY	DATE	
	S.S.C.	5-10-79			

PEB 5-11-79