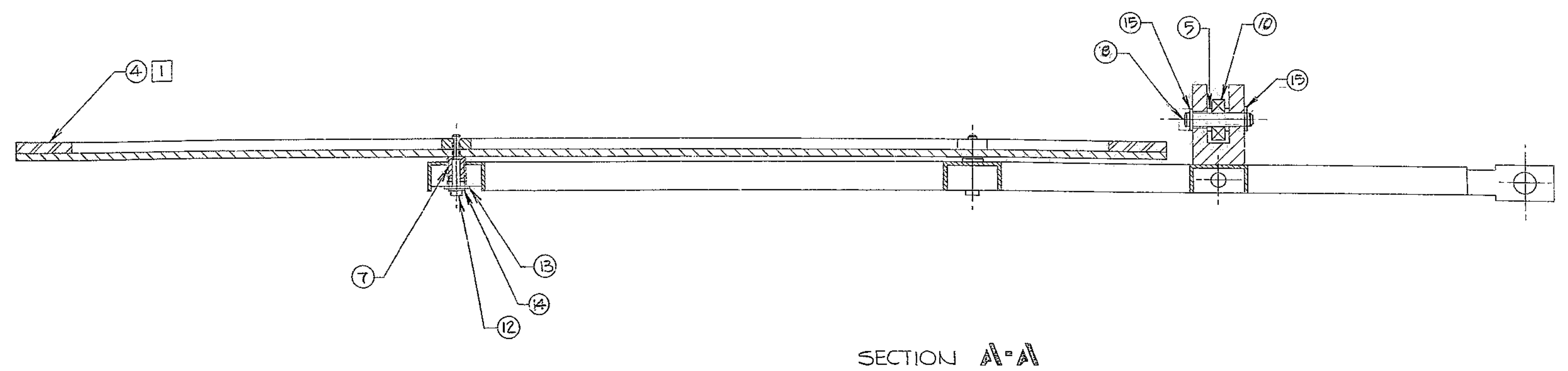
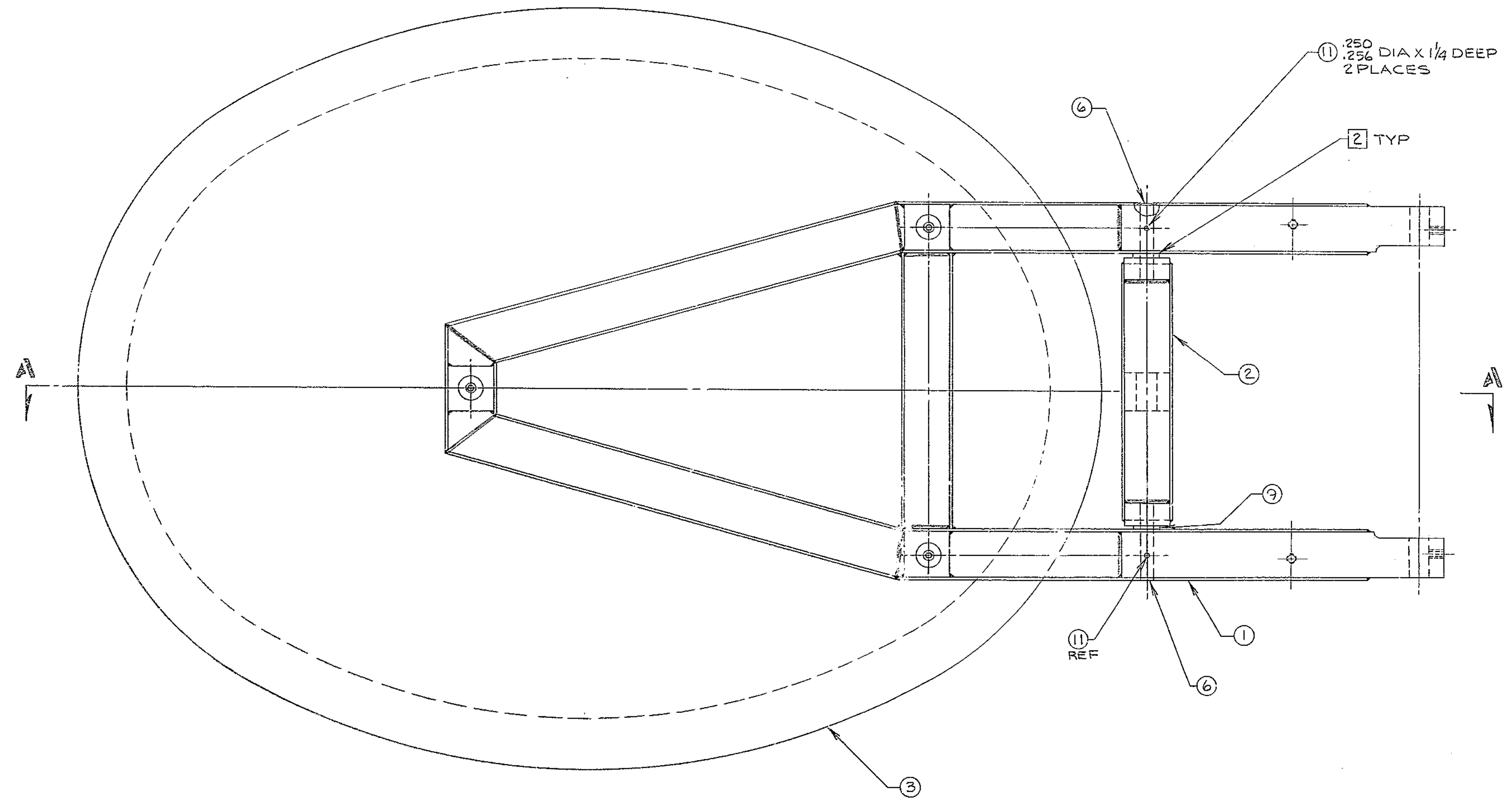


REVISIONS				
ZONE	LTR	DESCRIPTION	DATE	APPROVED
B2	L	W/M 2150.283 A602 (WGC 112949)	11-58	
4		REVISED PER W.P. G.M. E.P.U.		



SECTION A-A



- NOTES:
- 1 BOND ITEM (4) TO ITEM (3)
 - 2 MACHINE ITEM (9) FOR .005-.010 CLEARANCE

B/M 2150-283 A602 (WGC 112949) REF. 1176
 NEXT ASSY 2150.283E002 (W.G.N.102.989)

WESTERN GEAR CORPORATION
 CONSTRUCTION PROJECTS
 DEPARTMENT
 APPROVED FOR
 PROCUREMENT
 DATE 12/58

FIND NO.	PART NO.	DESCRIPTION	QTY	MATERIAL	CODE IDENT
LIST OF MATERIAL (LM)					
LIMITS ON MACHINED DIMENSIONS EXCEPT AS NOTED					
ANGULAR = ± 1° 0'					
LINEAR:					
X = ± .1 XXX = ± .010					
XX = ± .03 FRACTIONAL = ± 1/32					
BREAK ALL SHARP EDGES					
MATERIAL					
SEE LIST MATL					
150in STELLAR TELESCOPE MTG		DRAWN BIRKENDAHL 3-19-68		WESTERN GEAR CORPORATION HEAVY MACHINERY DIVISION EVERETT, WASHINGTON	
W.G.N.102.988		ENGR		ASSY, COVER, MISC FOR COUDE #3 ASSY	
APPROVED		SCALE 1/2		REV	
E 16603		WT		2150.283E602 A	
DATE		LB		SHEET 1 OF 1	