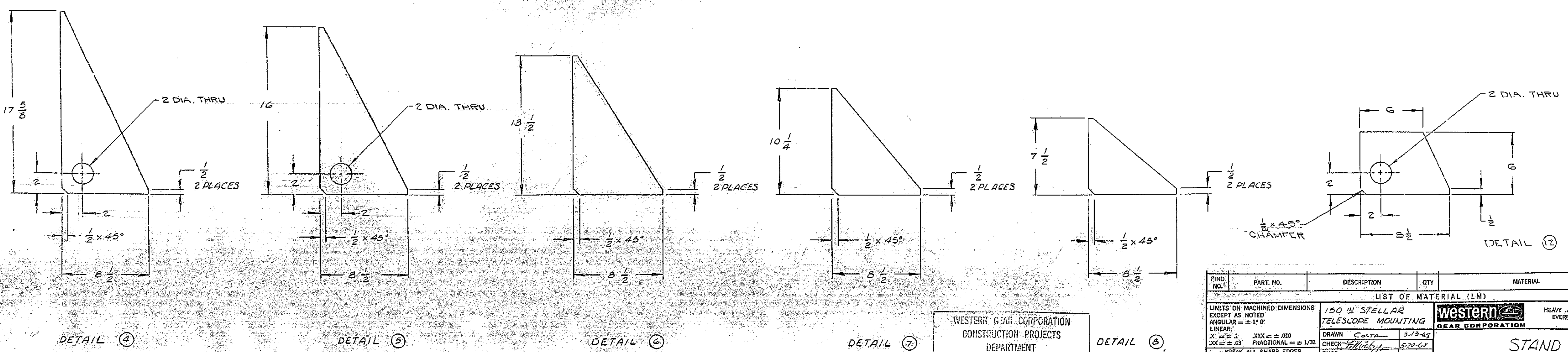
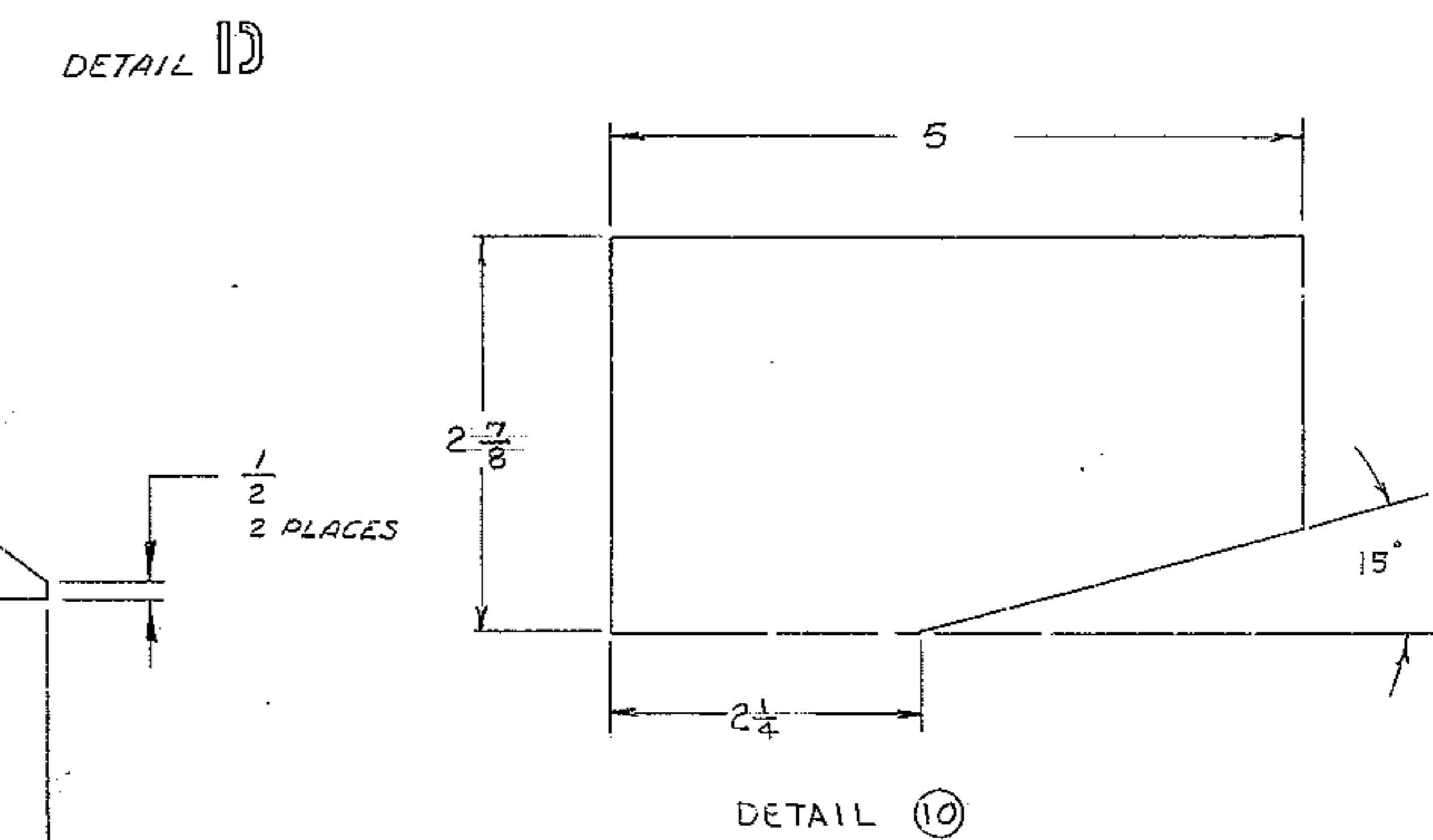
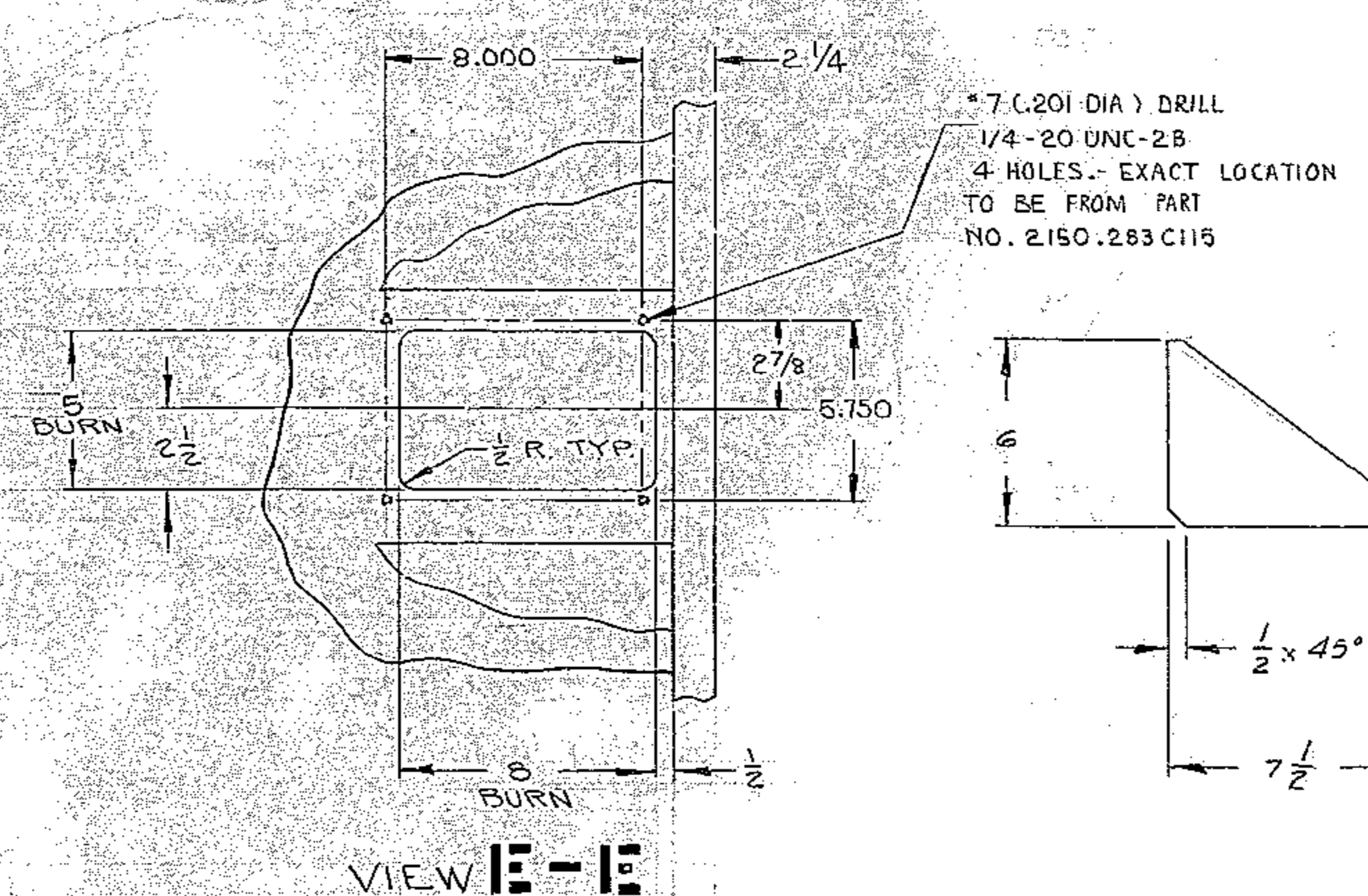
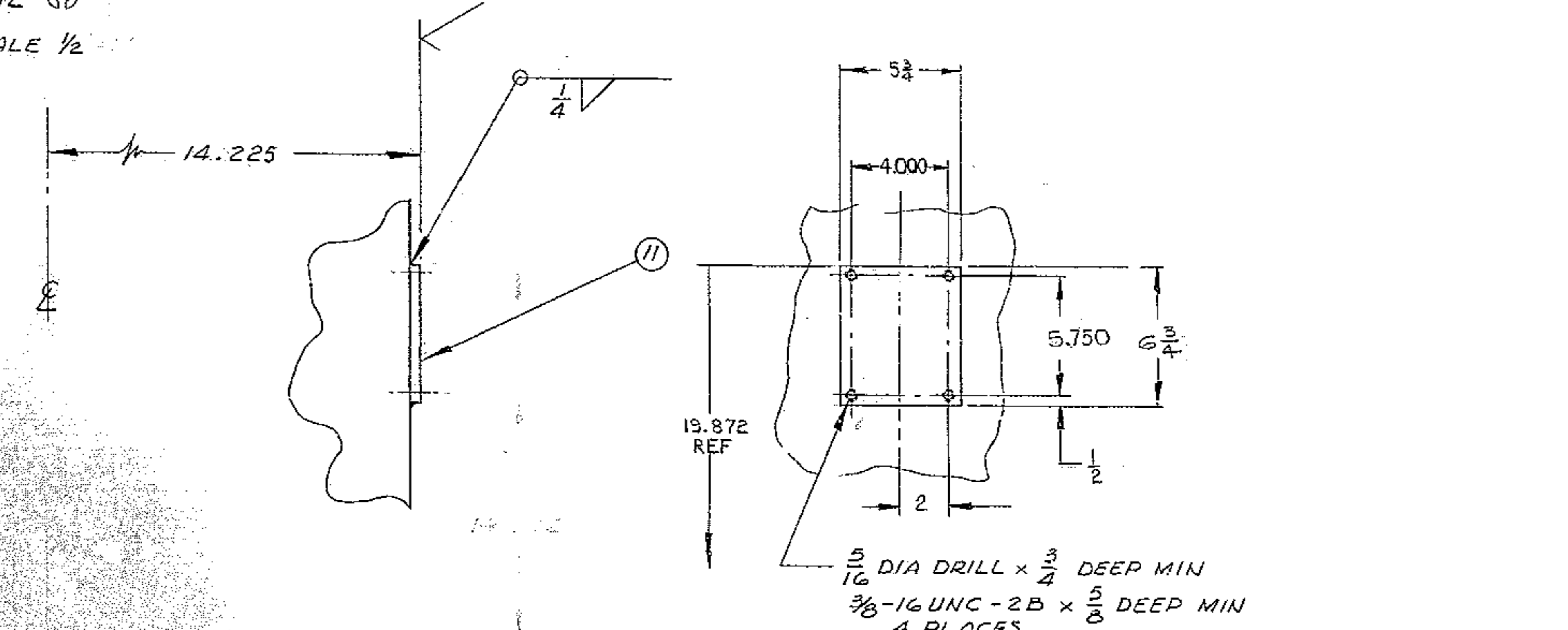
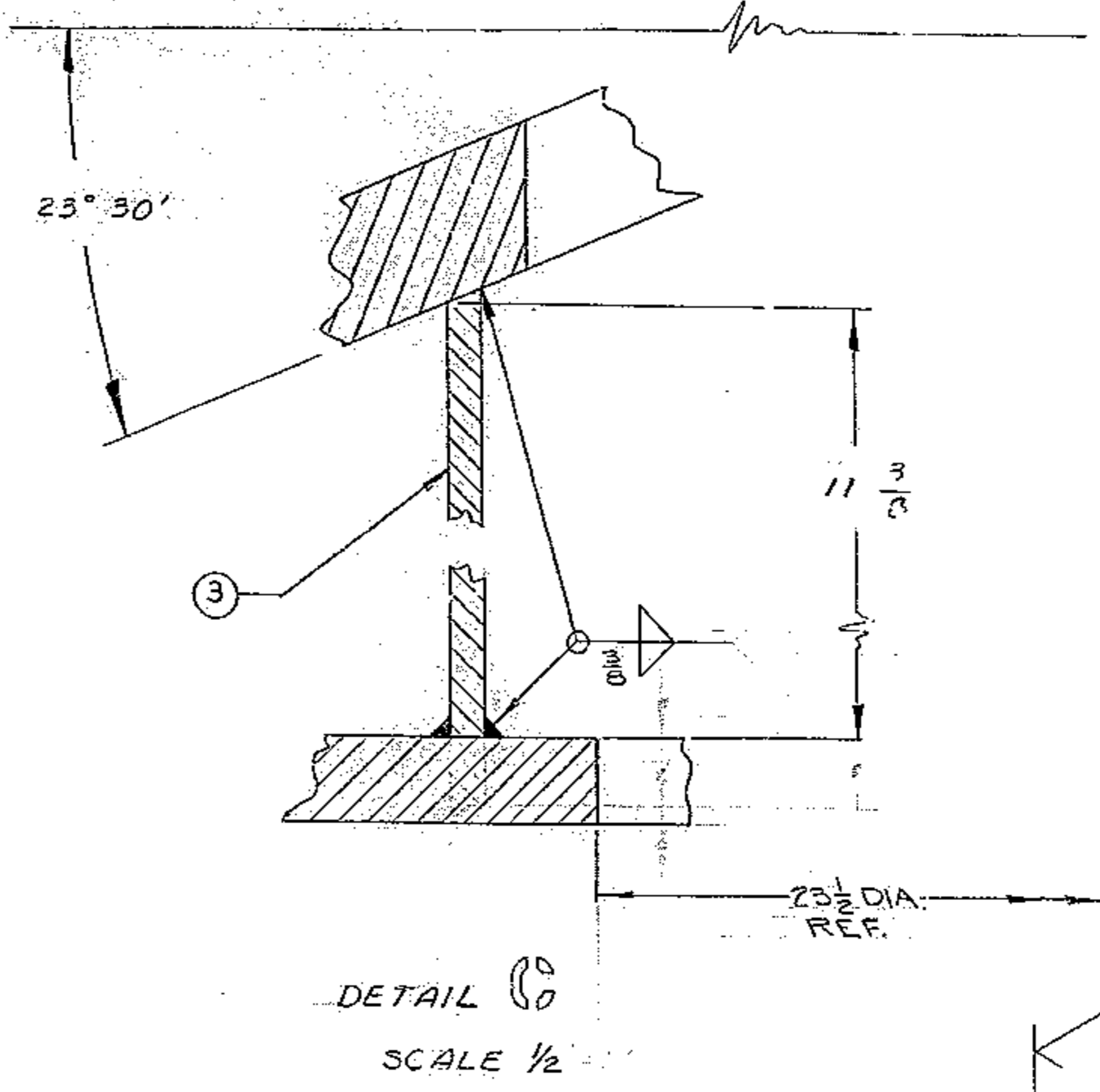
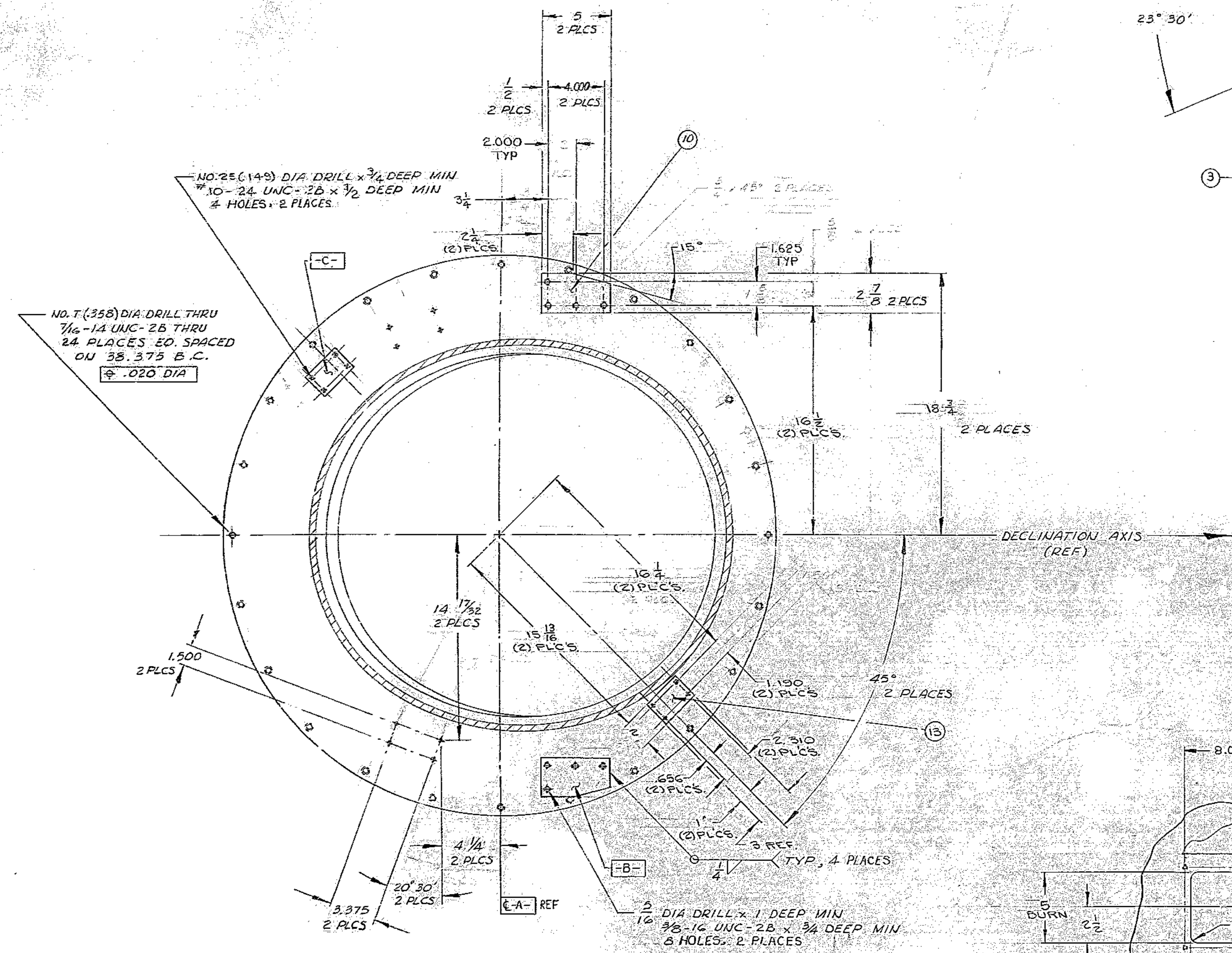


REVISIONS				
ZONE	LTR	DESCRIPTION	DATE	APPROVED
	A	ADDED ITEM'S 12 & 13		
	A1	ADDED 2 DIA HOLES IN ITEM'S 4 & 5		
	D4	ADDED VIEW E-E		
	E3	11 7/8 WAS 12 7/8		
	E6	MODIFIED ITEM #10		
	GG	CHG. IN METHOD OF DIM. 7/8-16 HOLES		
	G7	10-32 TAP WAS 1/4-20. ALSO RE-LOC.		



WESTERN GEAR CORPORATION
 CONSTRUCTION PROJECTS
 DEPARTMENT
 APPROVED FOR
 PROCUREMENT
 DATE _____

LIST OF MATERIAL (LM)				
FIND NO.	PART NO.	DESCRIPTION	QTY	MATERIAL
LIMITS ON MACHINED DIMENSIONS EXCEPT AS NOTED				
ANGULAR = ±1°				
LINEAR:				
X, Y, Z = ±.010				
XX, YY, ZZ = ±.015				
FRACTIONAL = ±1/32				
BREAK ALL SHARP EDGES				
MATERIAL				
150 LL STELLAR TELESCOPE MOUNTING				
WESTERN GEAR CORPORATION HEAVY MACHINERY DIVISION EVERETT, WASHINGTON				
DRAWN: Cosma 3-13-45				
CHECK: M. Kelly 5-20-61				
ENGR:				
STAND COUDÉ NO. 3				
WGN 102978				
E 16603 2150 283E 104				
SCALE 1/4" WT LB SHEET 2 OF 2				