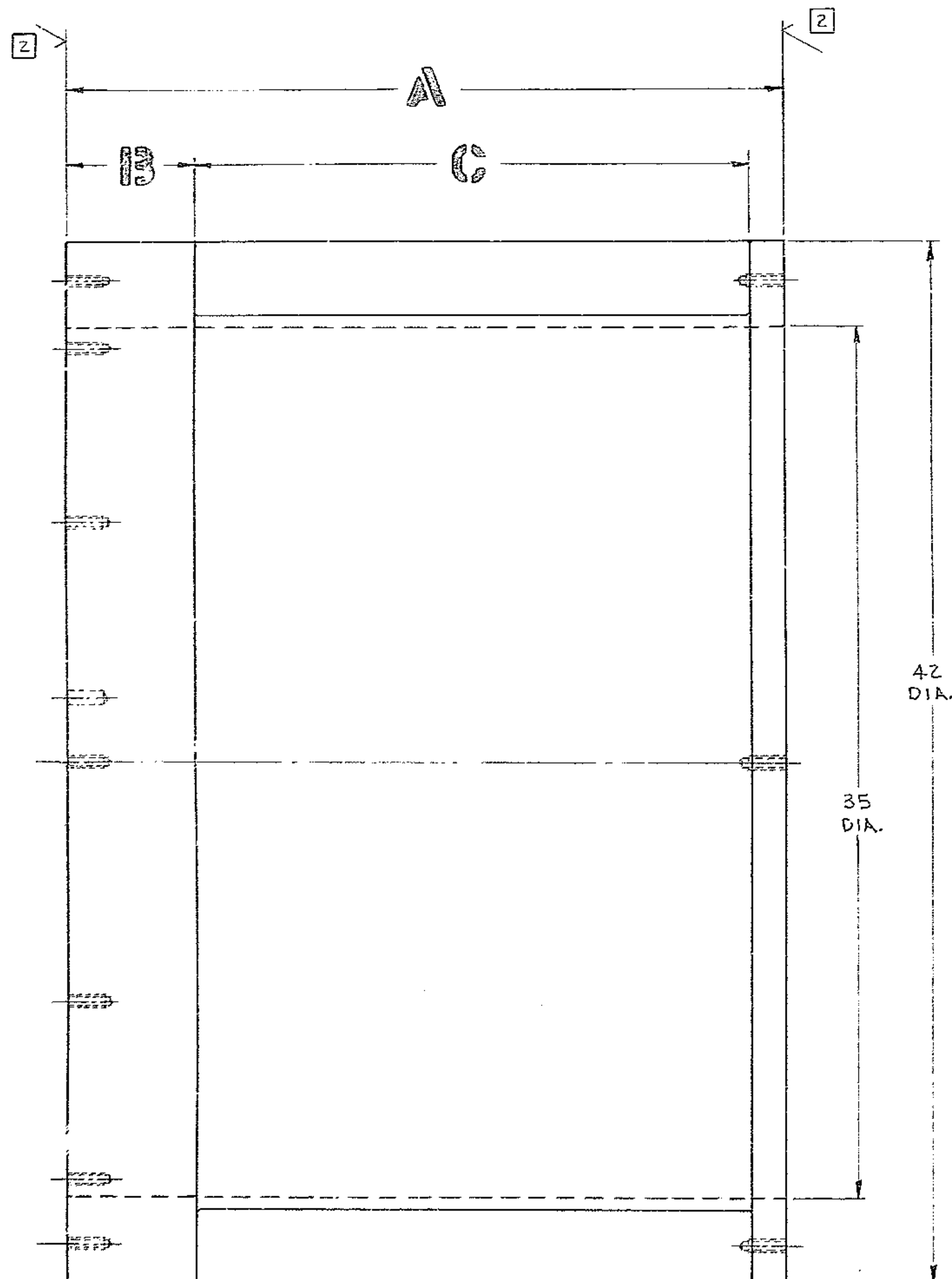


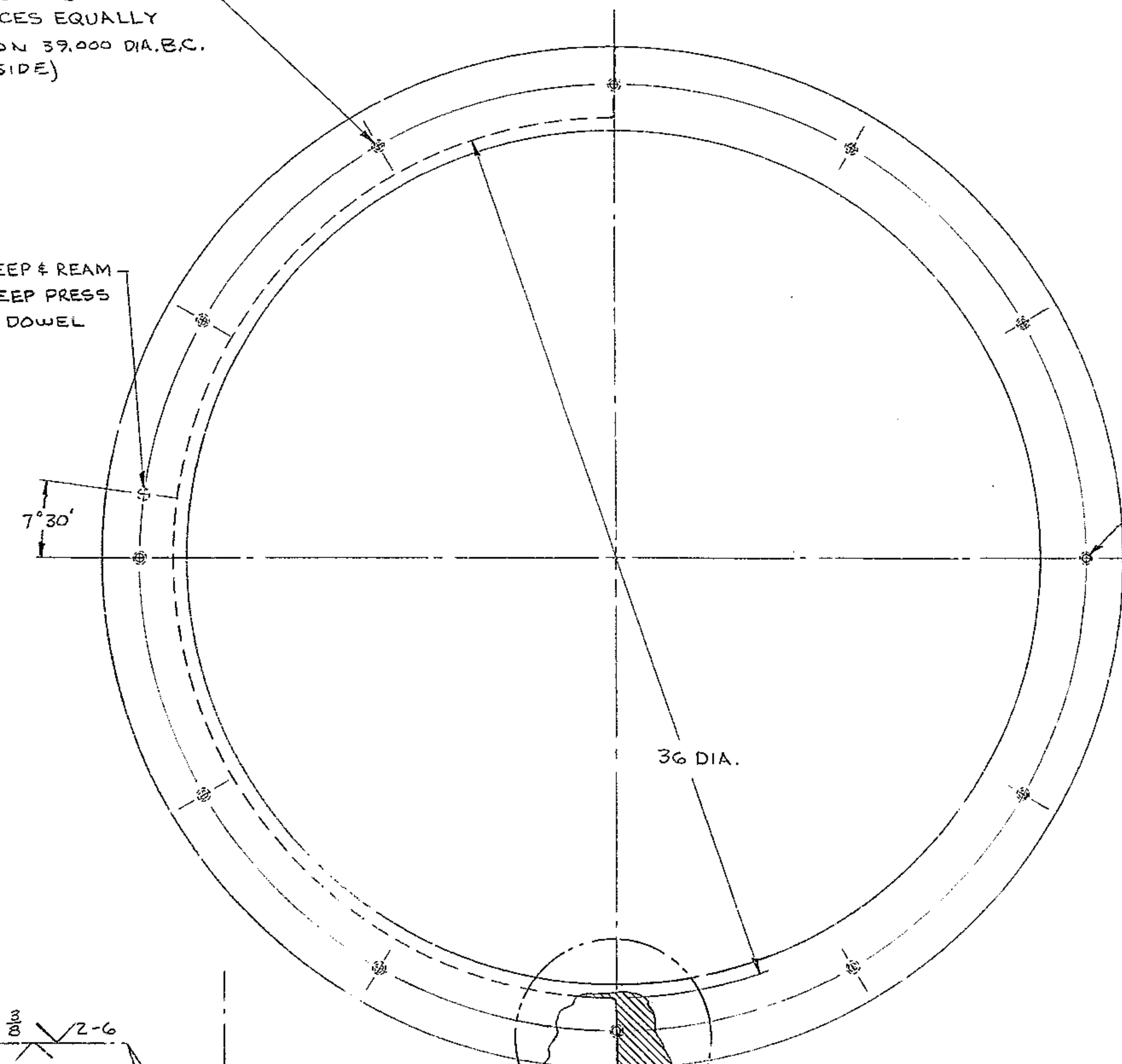
BILL OF MATERIAL

ITEM	QTY.	MATERIAL	DESCRIPTION	WEIGHT
------	------	----------	-------------	--------

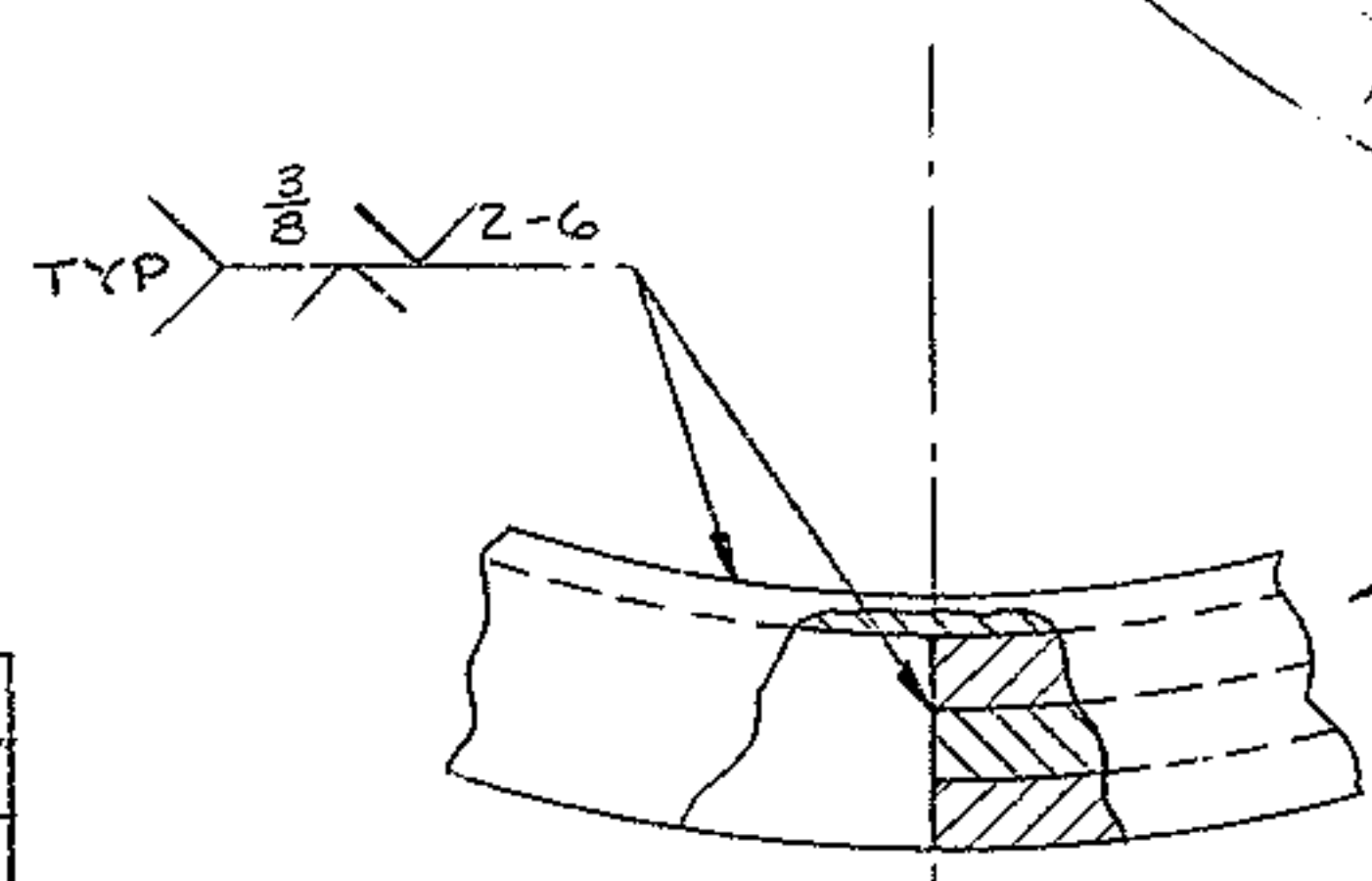


1/2-13 THD X 1 1/2 DEEP  
(2) PLACES EQUALLY  
SPACED ON 39.000 DIA. B.C.  
(FAR SIDE)

3/16 DIA DRILL 1 1/2 DEEP & REAM  
.500 DIA. X 1 DEEP PRESS  
FIT FOR STD. DOWEL  
(FAR SIDE)



1/2-13 THD. X 1 1/2 DEEP  
(4) PLACES EQUALLY SPACED  
ON 39.000 DIA. B.C.  
(NEAR SIDE)



ALTERNATE FABRICATION USING  
MILD STEEL PLATE.

TYPE OF CONST.	DIM. A	DIM. B	DIM. C
GREY IRON CASTING	29 7/64	5 13/64	22 39/64
MILD STEEL WELDMENT	26 17/64	2 1/64	20 21/64

2. REMOVE MATERIAL EQUALLY FROM MACHINED SURFACES TO  
ATTAIN TOTAL WEIGHT OF 2094 lb. ± 10 lb.  
1. PRIME ALL SURFACES USING TWO (2) COATS OF STEEL  
PRIMER, MEETING FEDERAL SPEC. TT-P-862, TYPE II OR  
EQUAL. CLEAN SURFACES TO BE PRIMED IN ACCORDANCE  
WITH STEEL STRUCTURE PAINTING COUNCIL SPECS  
SP-5, "BLAST CLEANING TO WHITE METAL"

GENERAL NOTES:  
FOR ASSEMBLY SEE 2150.283E702

4. ALL CASTING RADII APPROX. 1/2  
3. ALL CAST DIMENSIONS ± 1/16  
2. FINISH Z50 ONLY SURFACES MARKED ✓  
1. CASTING FINISH ALLOWANCE 1/8 INCH

3. ALL DIMENSIONS ± 1/16  
2. FINISH Z50 ONLY SURFACES MARKED ✓  
1. FINISH ALLOWANCE 1/4 INCH.

CASTING NOTES:

WELDMENT NOTES:

TOLERANCES UNLESS OTHERWISE NOTED	
DECIMAL DIMENSIONS	00.00 ± .010 00.000 ± .003
FRACTIONAL DIMENSIONS	UP TO 16" ± 1/64 16" TO 50" ± 1/32 50" & OVER ± 1/16
BREAK SHARP EDGES 1/32	
ALL SURFACES TO HAVE FINISH UNLESS OTHERWISE NOTED.	

**KITT PEAK NATIONAL OBSERVATORY**  
OPERATED BY THE ASSOCIATION OF UNIVERSITIES FOR RESEARCH IN ASTRONOMY, INC.  
UNDER CONTRACT WITH NATIONAL SCIENCE FOUNDATION

150 INCH STELLAR TELESCOPE REF. FILE 1176

NAME: COUDE #3 REPLACEMENT COUNTERWEIGHT-ASSEMBLY  
SCALE: 1/4  
PRINT ISSUED

DESIGNED BY	DATE	APPROVED BY	DATE
3/11/70	3-11-70	3/11/70	3/11/70
DRAWN BY	DATE	APPROVED BY	DATE
3/11/70	3-11-70	3/11/70	3/11/70
CHECKED BY	DATE	APPROVED BY	DATE
3/11/70	3-11-70	3/11/70	3/11/70

DESIGNED BY	DATE	APPROVED BY	DATE	DRAWING NUMBER	REV.
3/11/70	3-11-70	3/11/70	3/11/70	2150-283-D703	