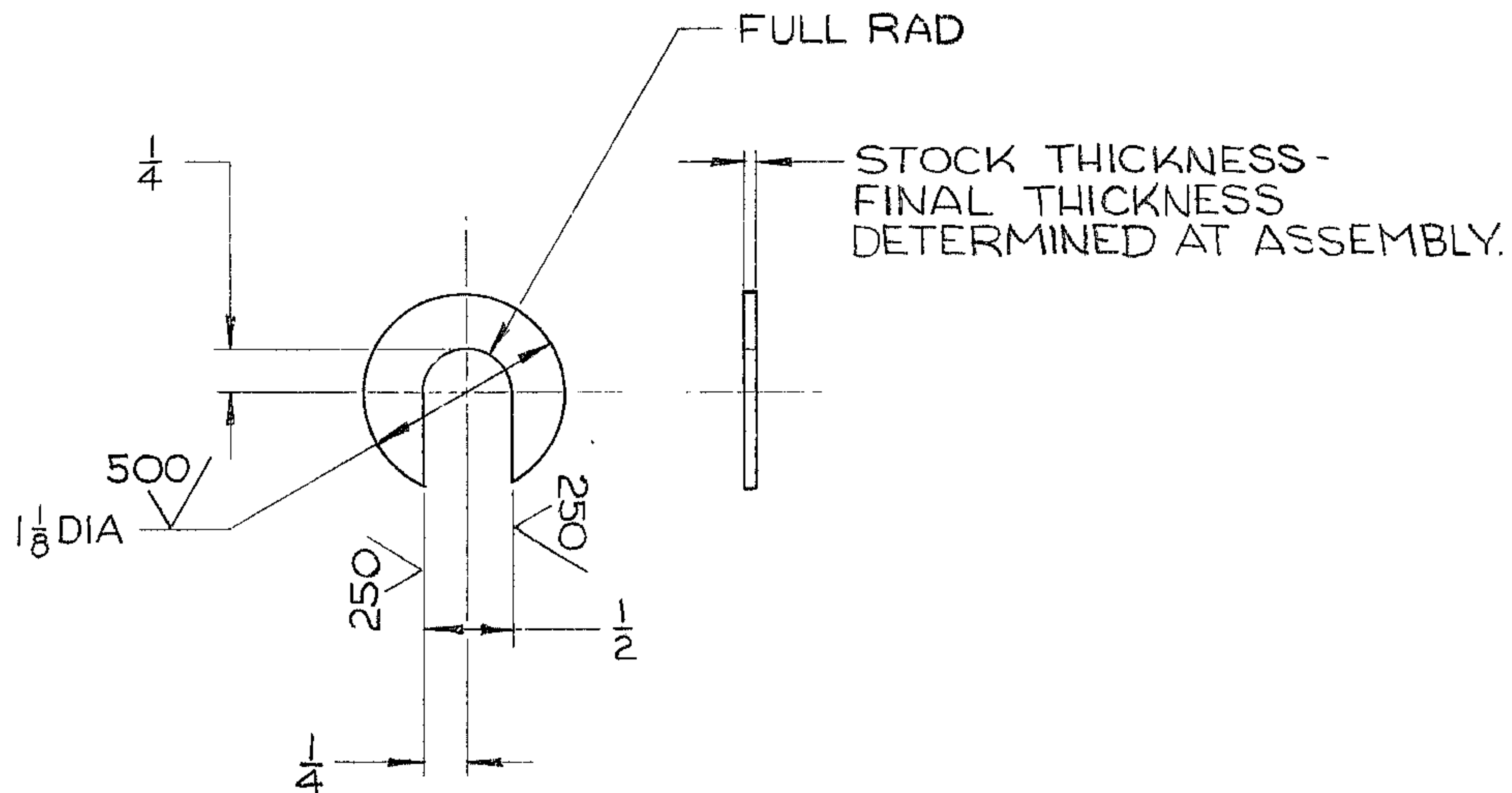


THIS DOCUMENT CONTAINS INFORMATION PROPRIETARY TO WESTERN GEAR CORPORATION. ALL DESIGN, MANUFACTURING, REPRODUCTION, USE, PATENT, AND SALES RIGHTS REGARDING THE SAME ARE HEREBY EXPRESSLY RESERVED BY WESTERN GEAR CORPORATION. THIS DOCUMENT IS SUBMITTED FOR REFERENCE PURPOSES ONLY AND SHALL NOT BE DISCLOSED TO ANY UNAUTHORIZED PERSON OR INCORPORATED INTO ANY OTHER PROJECT.

REVISIONS				
ZONE	LTR	DESCRIPTION	DATE	APPROVED
	A	RELEASED FOR MANUFACT.	1-3-69	



NOTES:

1. ALL DIMENSIONS ARE IN INCHES.
2. MATERIAL: STL. ASTM A366 OR EQUIV. COLD ROLLED SHEET 13 GA (.0897)
3. TAG PART NO "2150.283B114"

REF. FILE 1176

WESTERN GEAR CORPORATION
 CONSTRUCTION PROJECTS
 DEPARTMENT
 APPROVED FOR
 PROCUREMENT
D. W. [Signature] DATE 1-16-69

NEXT ASSY: 2150.283E102 (W.G.N. 102987)

LIMITS ON MACHINED DIMENSIONS EXCEPT AS NOTED ANGULAR $\pm 1^{\circ} 0'$ LINEAR .X = $\pm .1$.XX = $\pm .03$.XXX = $\pm .010$ FRACTIONAL $\pm 1/32$ BREAK ALL SHARP EDGES	150-IN STELLAR TELESCOPE MTG.	Western GEAR CORPORATION HEAVY MACHINERY DIVISION EVERETT, WASHINGTON	SHIM, PRELOAD, BEARING - COUDÉ #3	
	DRAWN <i>HOSKINS</i> 1/9/69 CHECK <i>P.G.</i> 1-9-69 ENGR		W.G.C 112736	SIZE B CODE IDENT NO. 16603 2150.283B114
APPROVED	SCALE 1/1	WT. — LB	SHEET 1	OF 1