

5

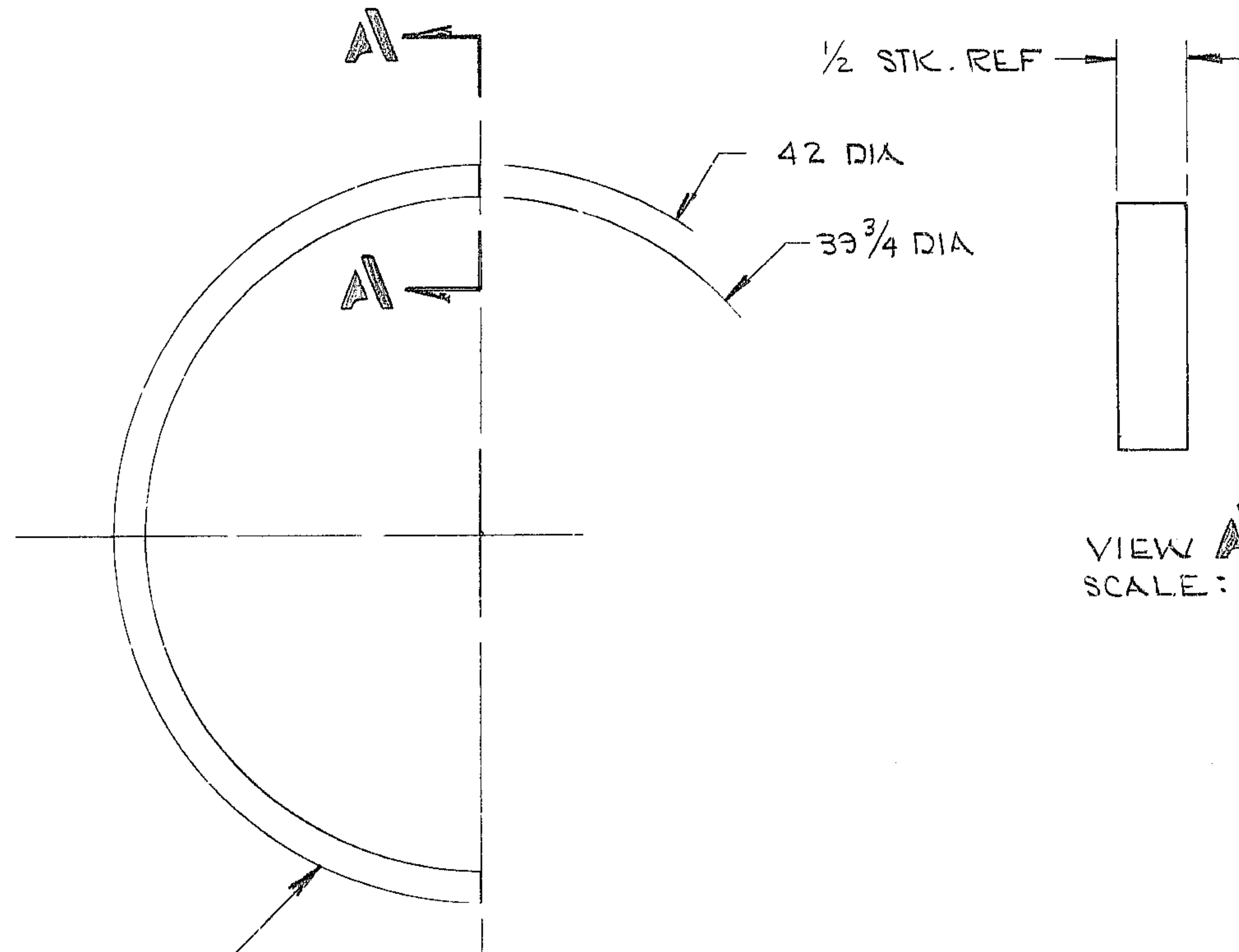
4

3

2

1

REVISIONS				
ZONE	LTR	DESCRIPTION	DATE	APPROVED
	A	APPD FOR CONST PER AURA	11-6-68	



VIEW A-A
SCALE: 1/1

- NOTES:
1. ALL DIMENSIONS ARE IN INCHES
 2. MATERIAL - NEOPRENE 1/2 THK.

REF. FILE 1176

TAG WITH PART NO. "2150.283B008"

WESTERN GEAR CORPORATION
CONSULTING PROJECTS
DEPARTMENT

APPROVED FOR
PROCUREMENT

PG DATE 11/21/68

NEXT ASSY 2150.283E002 (WGM4102989)

LIMITS ON MACHINED DIMENSIONS EXCEPT AS NOTED ANGULAR ± 1° 0' LINEAR .X = ± .1 .XX = ± .03 .XXX = ± .010 FRACTIONAL ± 1/32 BREAK ALL SHARP EDGES	150 IN STELLAR TELESCOPE MOUNTING		WESTERN GEAR CORPORATION HEAVY MACHINERY DIVISION EVERETT, WASHINGTON	
	DRAWN FLAVIN 4-3-68 CHECK <i>E. Nicolay</i> ENGR		PAD, P.M. COVER COU'D'E #3	
WGC 112464		SIZE B	CODE IDENT NO. 16603	2150.283B008
APPROVED		SCALE 1/8	WT.	LB SHEET 1 OF 1
				REV A