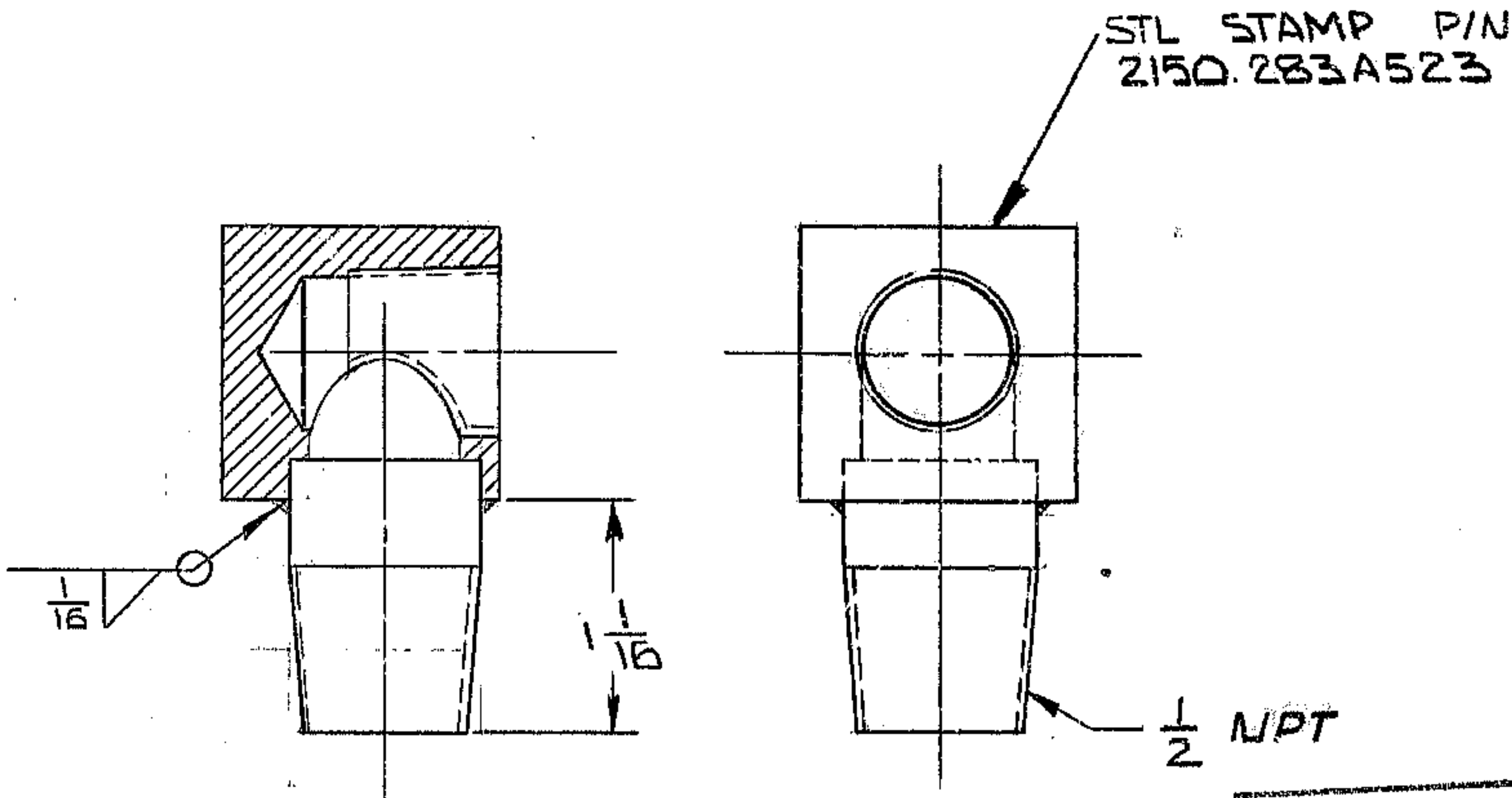


REVISIONS

ZONE	LTR	DESCRIPTION	DATE	APPROVED



REF. FILE 1625

NEXT ASSY - 2150.283E502

FIND NO.	PART NO.	DESCRIPTION	QTY	MATERIAL
2		1/2 DIA x 1 1/4 LG	1	PIPE - STL - SCHED 40
1	2150.283A523 W.G.C. DWG. NO.	ADAPTER	1	STL

LIST OF MATERIAL

<p>LIMITS ON MACHINED DIMENSIONS EXCEPT AS NOTED</p> <p>ANGULAR ± 1° 0'</p> <p>LINEAR</p> <p>X = ± .1</p> <p>.XX = ± .03</p> <p>.XXX = ± .010</p> <p>FRACTIONAL ± 1/32</p> <p>BREAK ALL SHARP EDGES</p>	150 STELLAR TELESCOPE		<p>Heavy Machinery Division</p>	
	DRAWN		ADAPTER WELDMENT	
	CHECK		CENTRAL DUST COVER	
	ENGR SKILES		ETID ONLY	
W.G.C. DWG. NO.		SIZE	CODE IDENT NO.	REV
APPROVED		A	16603	2150.283A523
SCALE FULL		WT.	— LB	SHEET 1 OF 1