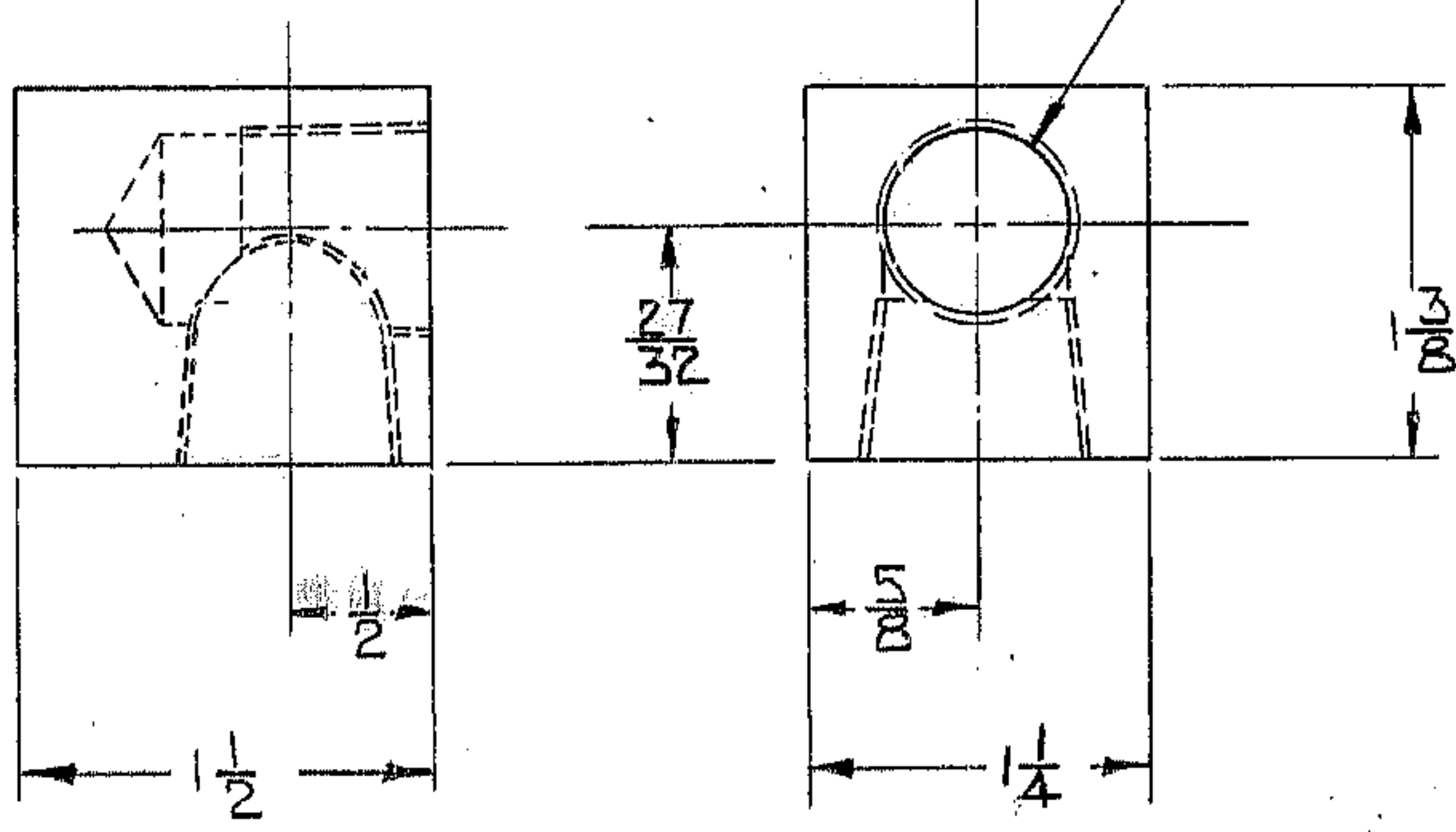


REVISIONS				
ZONE	LTR	DESCRIPTION	DATE	APPROVED

$\frac{11}{16}$ DRILL X 1 DP
 $\frac{1}{2}$ NPT TAP
 2 PLCS



NOTE.
 1. MAT'L $\frac{1}{4}$ X $1\frac{3}{8}$ X $1\frac{1}{2}$ ALUM 2024 OR EQU.

REF. FILE 1176

NEXT ASSY: 2150.283E502

LIMITS ON MACHINED DIMENSIONS EXCEPT AS NOTED ANGULAR $\pm 1^\circ 0'$ LINEAR X = $\pm .1$ XX = $\pm .03$ XXX = $\pm .010$ FRACTIONAL $\pm 1/32$ BREAK ALL SHARP EDGES	150" STELLAR TELESCOPE	WESTERN Heavy Machinery Division <small>GEAR CORPORATION</small>	
	DRAWN	ADAPTER, CONDUIT	
	CHECK	CENTRAL DUST COVER ASSY	
	ENGR SKILES	KPMO ONLY	
APPROVED	SIZE	CODE IDENT NO.	REV
	A	16603	2150.283A520
	SCALE	WT.	LB SHEET OF