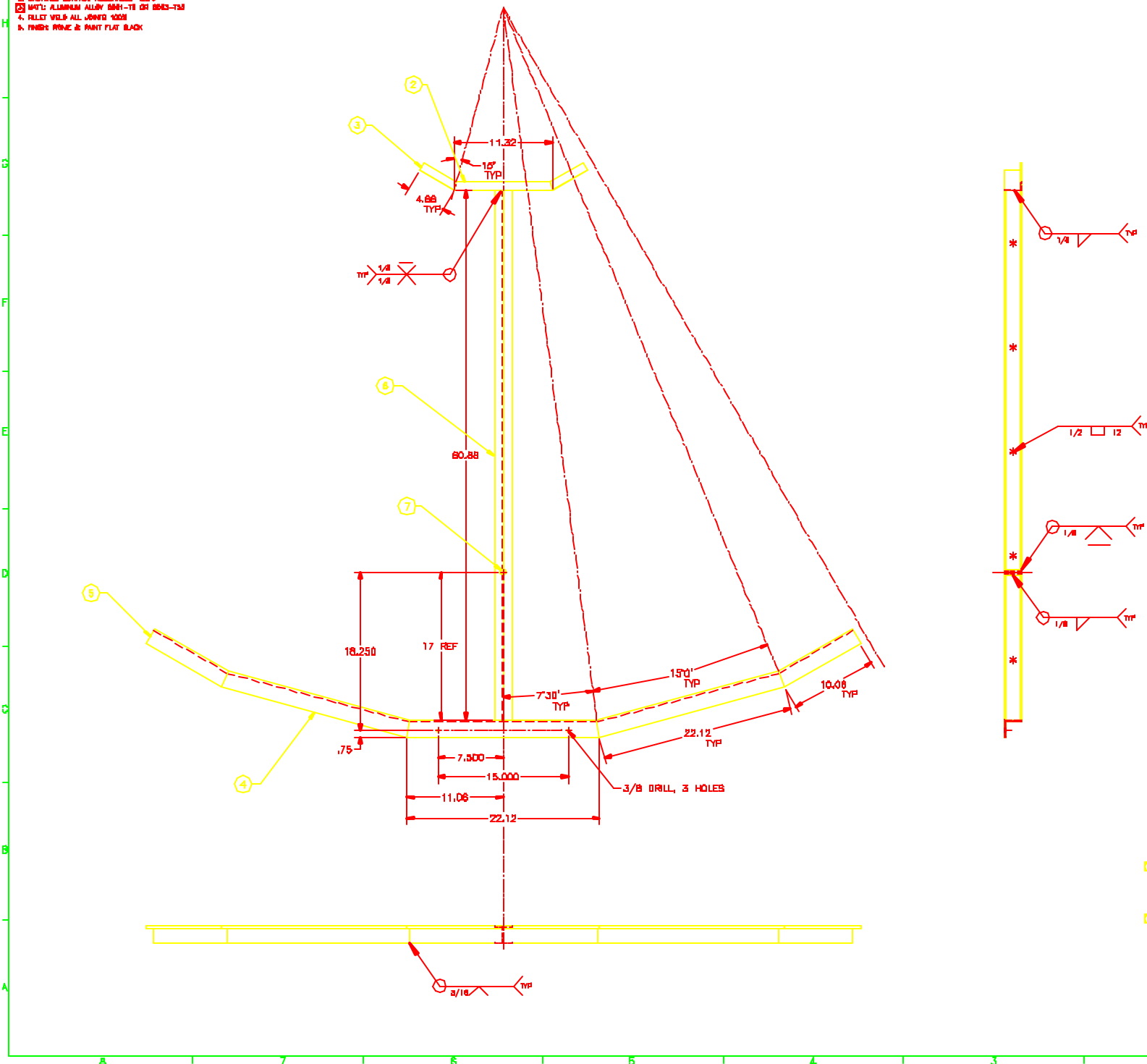


- NOTES: UNLESS OTHERWISE SPECIFIED
1. REMOVE ALL BURRS AND SHARP EDGES
 2. MACHINE SURFACE ROUGHNESS 1.25
 3. 6061 ALUMINUM ALLOY 6061-T6 OR 6063-T52
 4. RILEY WELD ALL JOINTS 4043
 5. FINISH PRIME IS PANT FLAT BLACK



REV	DATE	DESCRIPTION	BY	CHK	APP
1		2 1/4 DIA X 2 LB BAR	ALUM	7	7
2		2 X 1 X 1/8 X 10.08 LB ARSH. CHANNEL	ALUM	6	6
3		2 X 2 X 1/4 X 10.08 LB ARSH. ANGLE	ALUM	6	6
4		2 X 2 X 1/4 X 22.12 LB ARSH. ANGLE	ALUM	6	6
5		2 X 1 X 1/8 X 4.88 LB ARSH. ANGLE	ALUM	3	3
6		2 X 1 X 1/8 X 11.06 LB ARSH. ANGLE	ALUM	2	2
7				1	1

2150.281E000

2150.281E021

FRAME-INNER

1175

2150.281E021