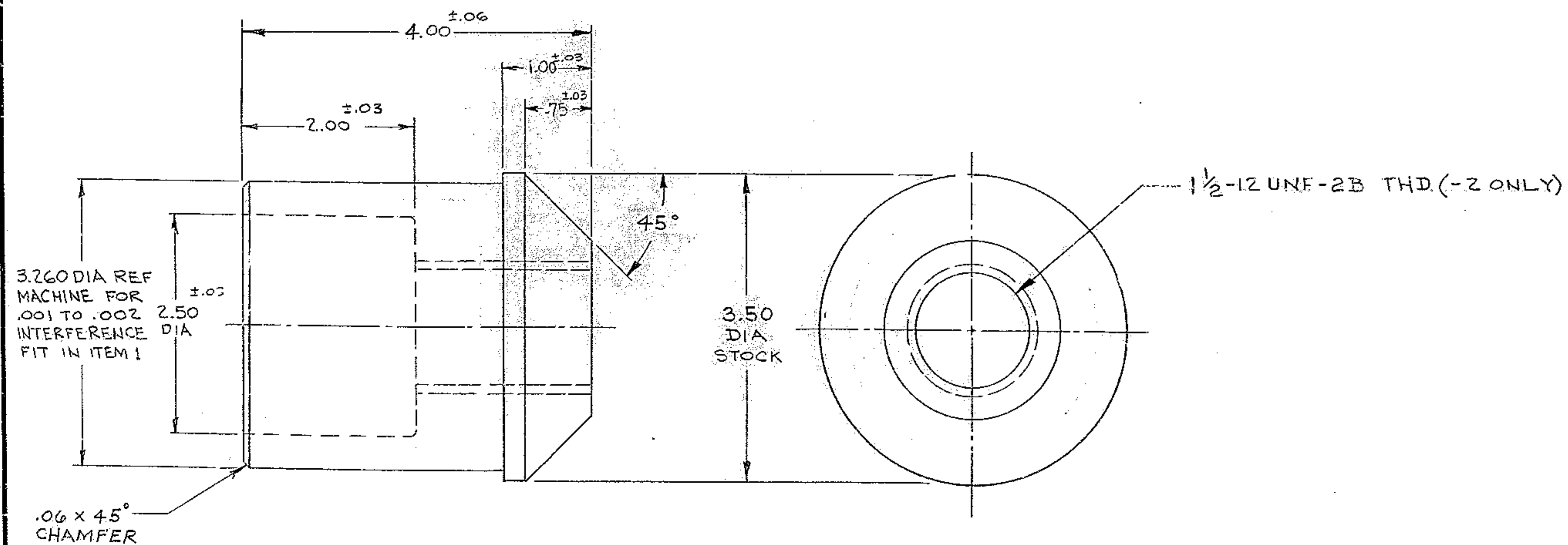
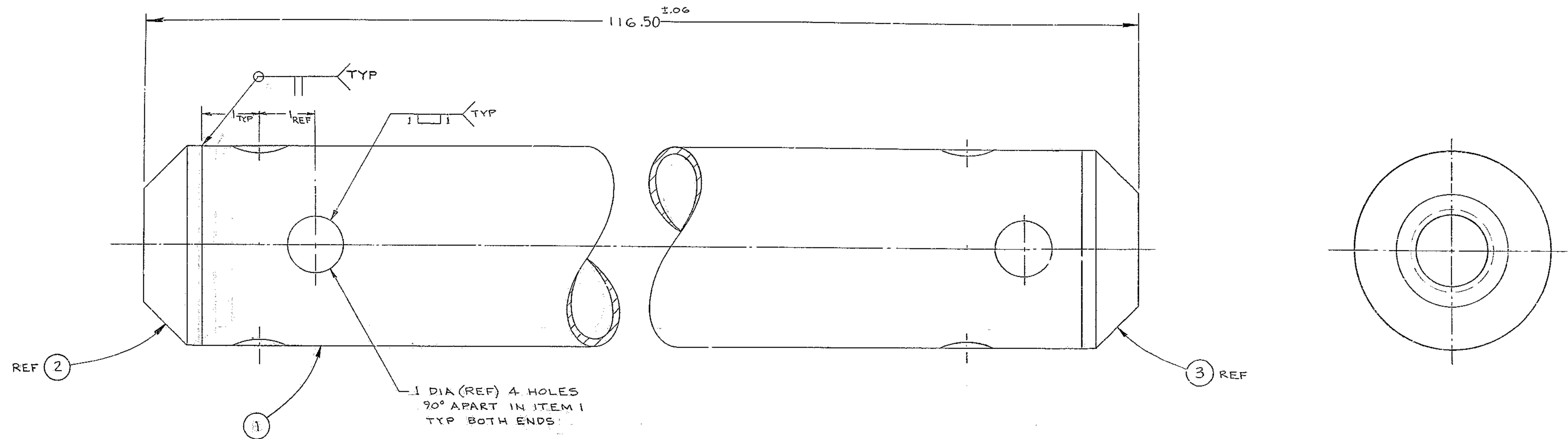


BILL OF MATERIAL

ITEM	QTY	MATERIAL	DESCRIPTION	WEIGHT
1	1		3 1/2 ODX. 120 WALL X 114 1/2 DOM. WELDED STEEL TUBING	
2	1		3 1/2 O D X 4 LG HOT ROLLED STEEL 1018	
3	1		3 1/2 O D X 4 LG HOT ROLLED STEEL 1018	



- ② R H THREADED INSERT
- ③ SAME AS -2 EXCEPT LH THREAD

5-PRIME PAINT PER AURA SPEC NO 9001-A1-1
 4-IDENTIFY BY _____ AT LOCATION 4 "AURA INC. MADE IN U.S.A."
 3-STAMP MATCH-MARKS ON ALL MATING PARTS WHERE NECESSARY.
 2-PROJECT DRAWINGS _____
 1-FOR NEXT ASSY. SEE 2150.281-E 302
 NOTES-

<p>KITT PEAK NATIONAL OBSERVATORY OPERATED BY THE ASSOCIATION OF UNIVERSITIES FOR RESEARCH IN ASTRONOMY, INC. UNDER CONTRACT WITH NATIONAL SCIENCE FOUNDATION</p>		<p>REF. FILE 1175 SCALE FULL PRINT ISSUED</p>
<p>150 INCH STELLAR TELESCOPE</p>		<p>NAME STAY BAR WELDMENT-TUBE STAY BAR</p>
<p>DESIGNED BY J.D.H. DATE 10-28-70</p>	<p>APPROVED BY [Signature] DATE 8-11-71</p>	<p>DRAWING NUMBER 2150.281-D303</p>
<p>DRAWN BY D.L.B. DATE 1-14-71</p>	<p>APPROVED BY [Signature] DATE 8-11-71</p>	
<p>CHECKED BY [Signature] DATE 5-15-71</p>	<p>APPROVED BY [Signature] DATE 8-22-71</p>	
<p>LET</p>	<p>REVISION</p>	<p>ECR DATE BY</p>