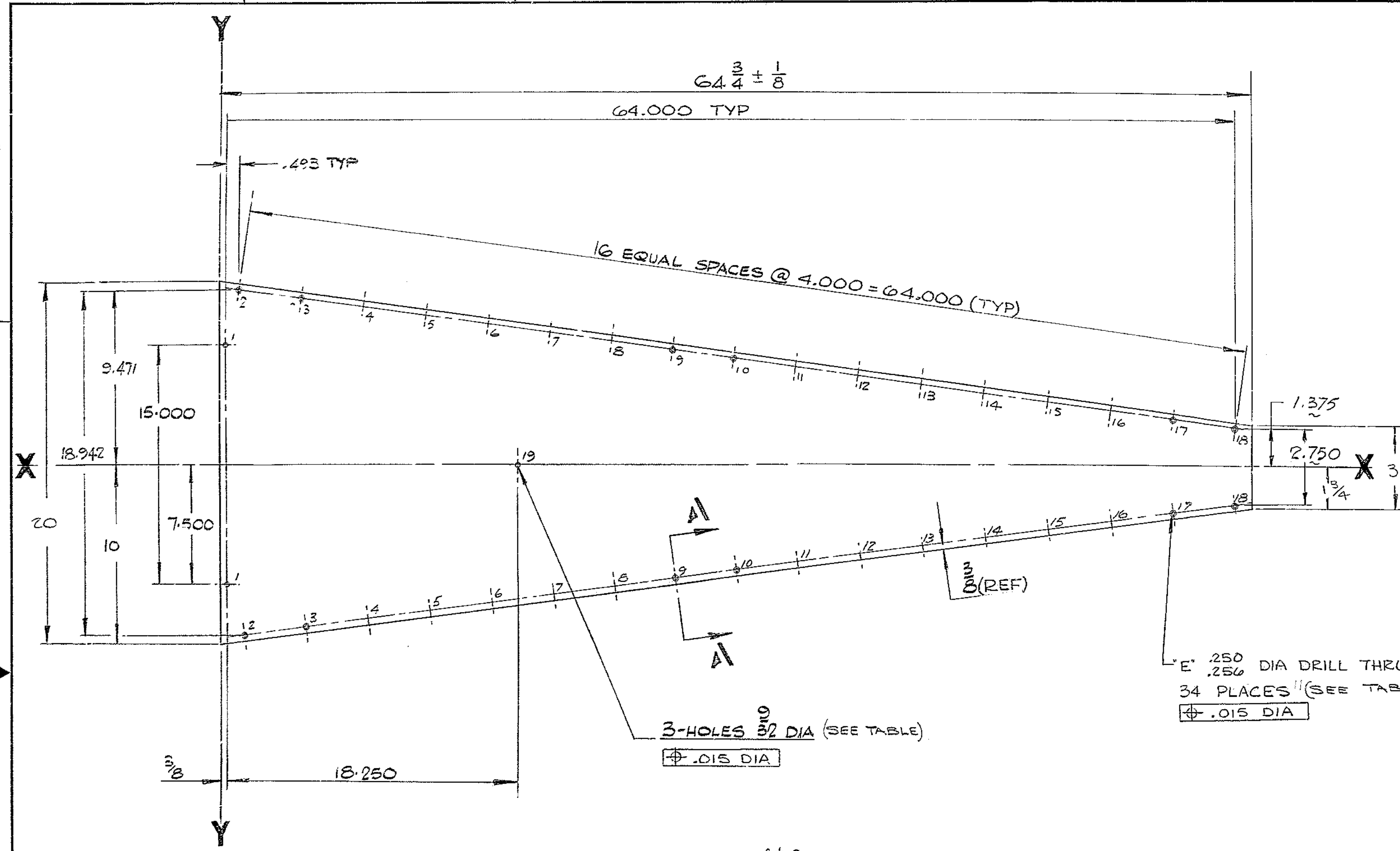
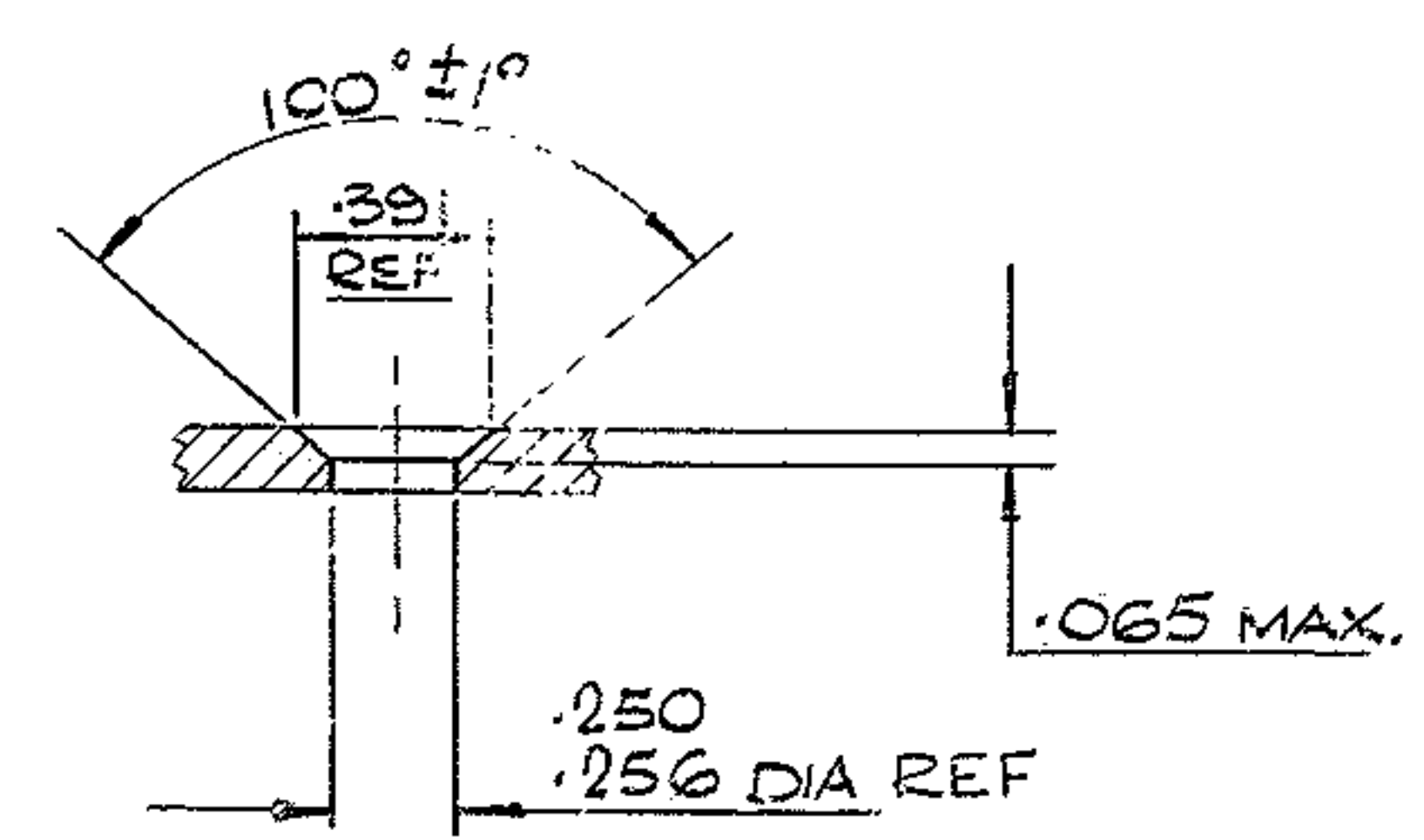


| REVISIONS | | | | | |
|-----------|-----|-----------------------------------------|---------|----------|--|
| ZONE | LTR | DESCRIPTION | DATE | APPROVED | |
| 3C | A | 3/4 WAS 5/2 2.750 WAS 4.500 | 10-3-68 | | |
| 3C | A | 2 1/2 WAS 2 5/8 1.375 WAS 2.250 | | | |
| 7D | A | .493 WAS .590 | | | |
| 8C | A | 20 WAS 22 3/4 10 WAS 11 3/8 | | | |
| 8C | A | 9.471 WAS 10.919 18.942 WAS 21.838 | | | |
| 8B | A | COORDINATE DIM'S ADDED | | | |
| A | | APPROVED PER AURA CONSTRUCTION 02-17-70 | | | |



- NOTES:
1. ALL DIMENSIONS IN INCHES
 2. FABRICATION TOLERANCES EXCEPT AS NOTED
 UP TO 10 IN. ± 1/16
 10 TO 50 IN. ± 1/8
 50 IN. & OVER ± 1/4

| HOLE NUMBER | DISTANCE FROM X-Y | DISTANCE FROM Y-Y | HOLE SIZE |
|-------------|-------------------|-------------------|-----------|
| 1 | 7.500 | 0.375 | 9/32 |
| 2 | 9.471 | 0.868 | 250/256 |
| 3 | 8.365 | 4.837 | |
| 4 | 8.459 | 8.806 | |
| 5 | 7.953 | 12.775 | |
| 6 | 7.447 | 16.745 | |
| 7 | 6.941 | 20.714 | |
| 8 | 6.435 | 24.683 | |
| 9 | 5.929 | 28.652 | |
| 10 | 5.423 | 32.621 | |
| 11 | 4.917 | 36.591 | |
| 12 | 4.411 | 40.560 | |
| 13 | 3.905 | 44.529 | |
| 14 | 3.399 | 48.498 | |
| 15 | 2.893 | 52.467 | |
| 16 | 2.387 | 56.437 | |
| 17 | 1.881 | 60.406 | |
| 18 | 1.375 | 64.375 | 250/256 |
| 19 | 0.000 | 18.250 | 9/32 |



SECTION A-A
 SCALE: 2:1
 34 PLACES

WESTERN GEAR CORPORATION
 CONSTRUCTION PROJECTS
 DEPARTMENT
 APPROVED FOR
 PROCUREMENT
 P.G. DATE 11/21/68

NEXT ASSEMBLY 2150.281 E 002 (WGN 103002)

| FIND NO. | PART NO. | DESCRIPTION | QTY | MATERIAL | CODE IDENT |
|-----------------------------------------------|----------|----------------------------------------|-----|----------------|------------|
| LIST OF MATERIAL (LM) | | | | | |
| LIMITS ON MACHINED DIMENSIONS EXCEPT AS NOTED | | 150 IN STELLAR TELESCOPE MOUNTING | | | |
| ANGULAR = ± 1° 0' | | DRAWN MAUNDERS 11/13/68 | | | |
| LINEAR: | | CHECK H.W. 3/15/68 | | | |
| X = ± .1 .XXX = ± .010 | | ENGR | | | |
| .XX = ± .03 FRACTIONAL = ± 1/32 | | WGE 107813 | | | |
| BREAK ALL SHARP EDGES | | APPROVED | | | |
| MATERIAL | | COVER, IRIS | | | |
| ALUM. | | DUST COVER & IRIS ASSY, PRIMARY MIRROR | | | |
| 6061-T6 | | SIZE | | CODE IDENT NO. | |
| 1/8 x 23 x 65 | | D 16603 | | 2150.281 0012 | |
| | | SCALE 1/4" = 1" WT | | REV A | |
| | | LB SHEET | | OF 1 | |