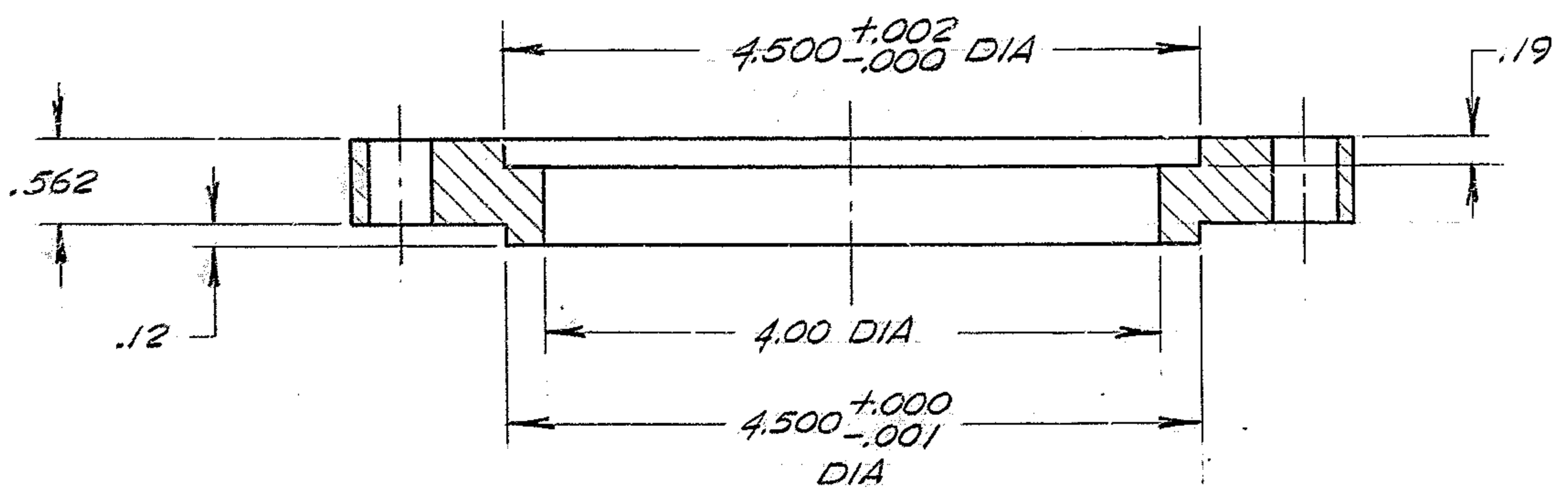
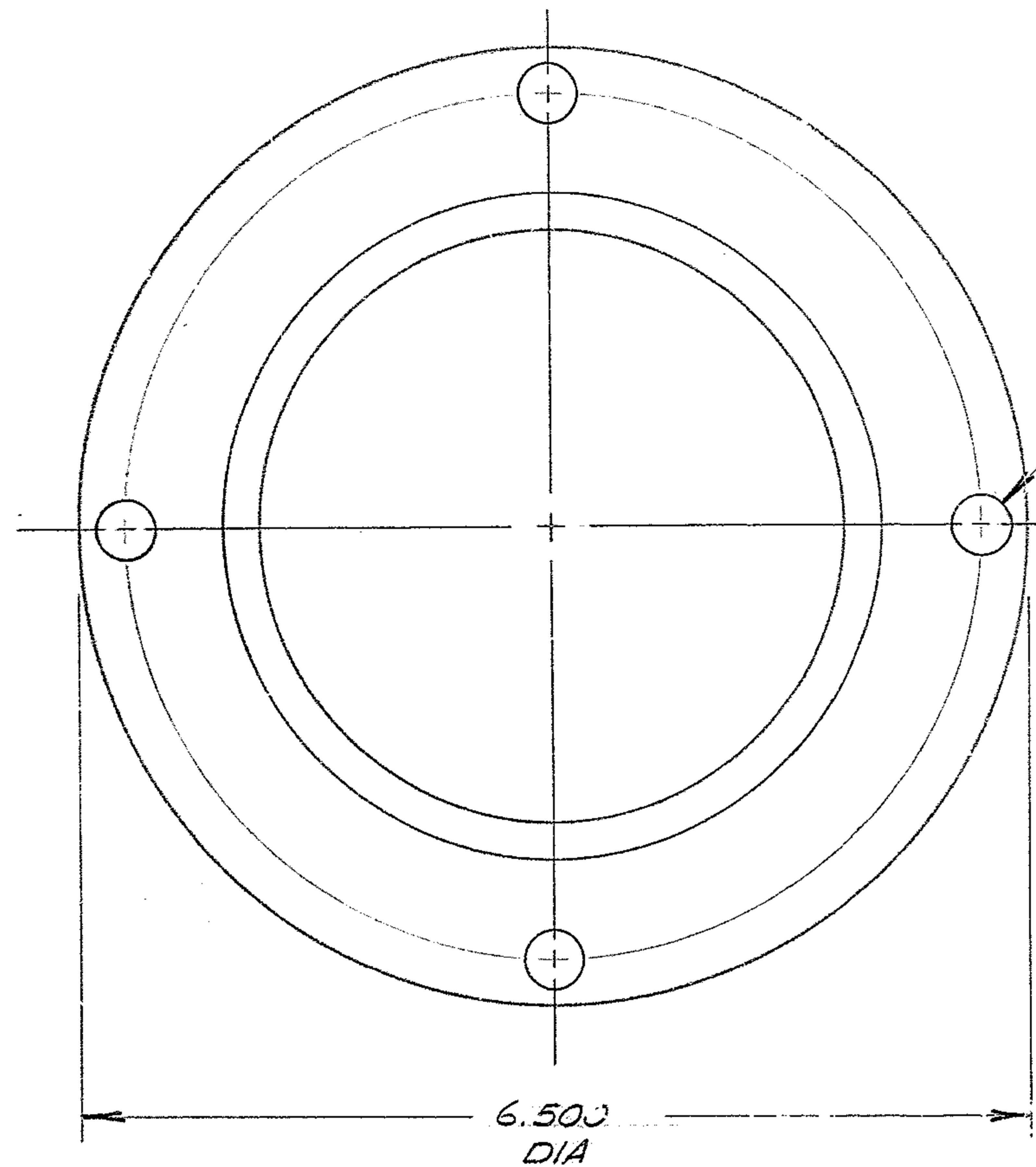


NOTES: UNLESS OTHERWISE NCTED

1. REMOVE ALL BURRS AND SHARP EDGES $.010$ R MAX
2. MACHINED SURFACE ROUGHNESS $125\sqrt{\text{ }}$
3. MATERIAL: 6061-T651 AL ALY
4. FINISH: BLACK SULFURIC ANODIZE

REVISIONS						
ZONE	LTR	DESCRIPTION	ECR	DATE	BY	APVD



QTY REQD	PART OR IDENTIFYING NO.	DESCRIPTION	MATERIAL / SPECIFICATION	ITEM NO.
PARTS LIST				
TOLERANCES UNLESS OTHERWISE NOTED DECIMALS FRACTIONS ANGULAR .XX ± .03 ± — ± 0° 30'		KITT PEAK NATIONAL OBSERVATORY <small>OPERATED BY THE ASSOCIATION OF UNIVERSITIES FOR RESEARCH IN ASTRONOMY, INC. UNDER CONTRACT WITH NATIONAL SCIENCE FOUNDATION</small>		
NEXT ASSEMBLY 2150.281-E002	NAME ADAPTER		REF FILE 1175	
SCALE 1/1	DESIGNED BY G. H. F. T. M.	DATE 5-14-78	APPROVED BY A. A. A.	DATE 3-22-78
PRINT ISSUED	DRAWN BY G. H. F. T. M.	DATE 5-14-78	APPROVED BY	DATE
	CHECKED BY A. A. A.	DATE 3-22-78	APPROVED BY J. L. S.	DATE 4-18-78
DWG NO. 2150.281-C304			REV	
RELEASE DATE 4-18-78				