

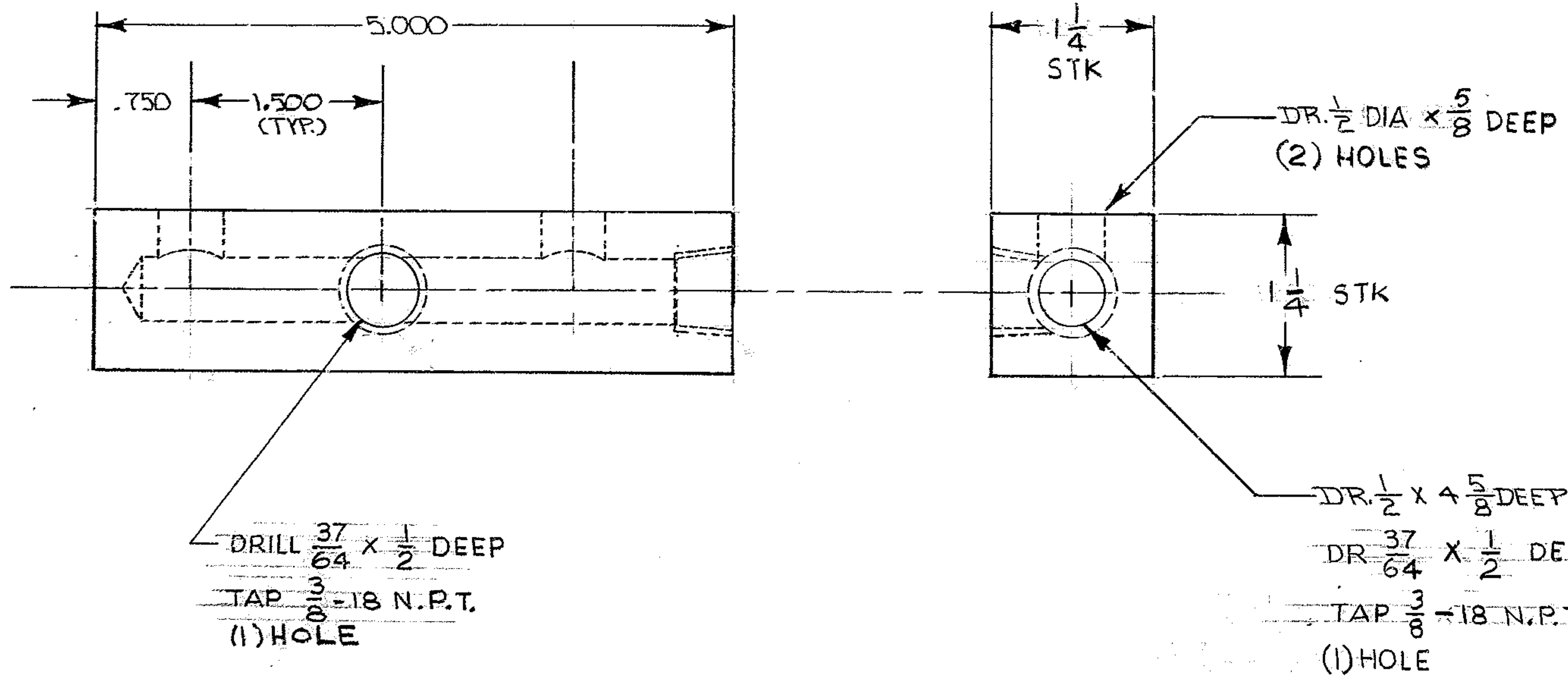
4

3

2

1

REVISIONS				
ZONE	LTR	DESCRIPTION	DATE	APPROVED
	A	REL. PER ALRA APPD PRINT	17 OCT 69	



NOTE:
1. TAG P/N WITH 2150.281C090

NEXT ASSY: 2150.281E002 (WGN 103002)

REF. FILE 1120

WESTERN GEAR CORPORATION
CONSTRUCTION PROJECTS
DEPARTMENT
APPROVED FOR
PROCUREMENT
GR DATE 10/17/69

FIND NO.	PART NO.	DESCRIPTION	QTY	MATERIAL	CODE IDENT
LIST OF MATERIAL (LM)					
LIMITS ON MACHINED DIMENSIONS EXCEPT AS NOTED ANGULAR = ± 1° 0'			 HEAVY MACHINERY DIVISION EVERETT, WASHINGTON MANIFOLD, EXHAUST		
LINEAR: X = ± .1 .XXX = ± .010 .XX = ± .03 FRACTIONAL = ± 1/32					
BREAK ALL SHARP EDGES			DRAWN B. Barnell 5-22-69		
MATERIAL			CHECK <i>OBMA</i> 23 MAY 69		
STEEL			ENGR		
C-1018			WGD107561		
1/4 x 1/4 x 5 BAR			APPROVED		
SIZE	CODE IDENT NO.	SCALE FULL		WT	SHEET OF
C	16603	2150.281C090		2.5 LB	OF