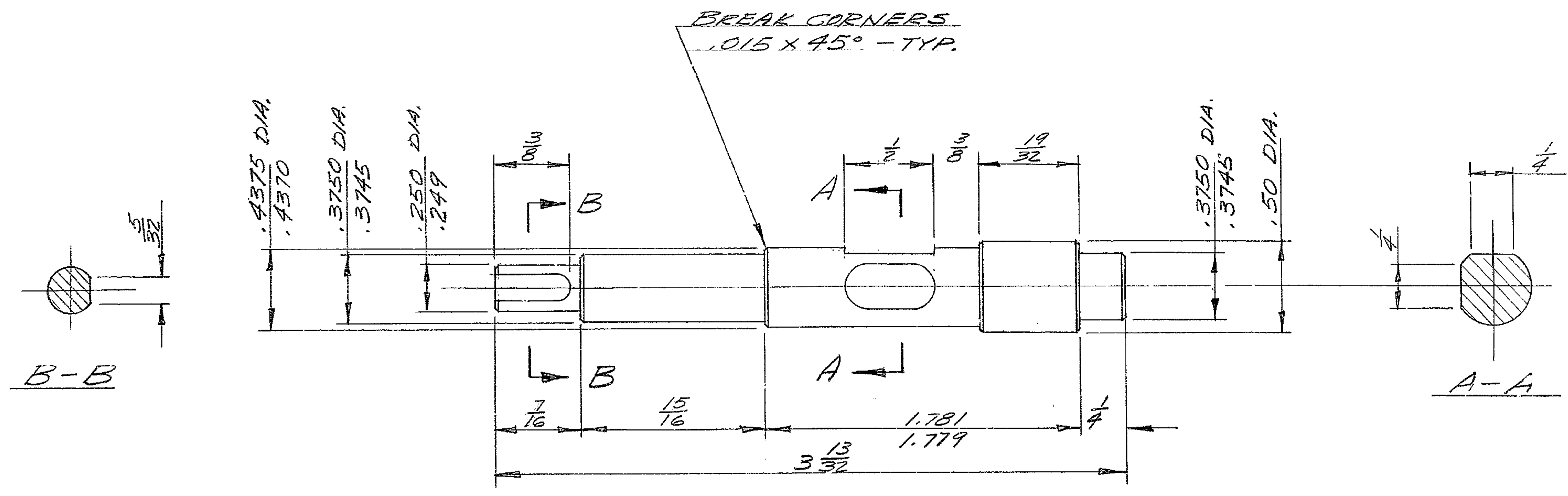


REVISIONS				
ZONE	LTR	DESCRIPTION	DATE	APPROVED
	B	REDRAWN FOR NEW ARRGT.	4-17-70	



- NOTES
1. FINISH ¹²⁵ / ALL OVER
 2. ALL DIMENSIONS ARE IN INCHES.
 3. TAG WITH PART NO. 2150.281C084

REF. FILE 1175

NEXT ASSY. : 2150.281E202 (W.G.N103002)

FIND NO.	PART NO.	DESCRIPTION	QTY	MATERIAL	CODE IDENT
LIST OF MATERIAL (LM)					
LIMITS ON MACHINED DIMENSIONS EXCEPT AS NOTED ANGULAR = ± 1° 0'		150 IN. STELLAR TELESCOPE MTG.		WESTERN GEAR CORPORATION	
LINEAR: X = ± .1 .XXX = ± .010 .XX = ± .03 FRACTIONAL = ± 1/32		DRAWN <i>Sprague</i> 4-17-70 CHECK <i>S.</i> ENGR		HEAVY MACHINERY DIVISION EVERETT, WASHINGTON	
BREAK ALL SHARP EDGES				SHAFT, BRACKET CENT. SECT. & P.M. COVER ASSY.	
MATERIAL 1/2 DIA. C.F. AISI C1018		W.G.D 107660		SIZE C 16603	CODE IDENT NO. 2150.281C084 B
APPROVED				SCALE 2/1	WT LB SHEET 1 OF 1