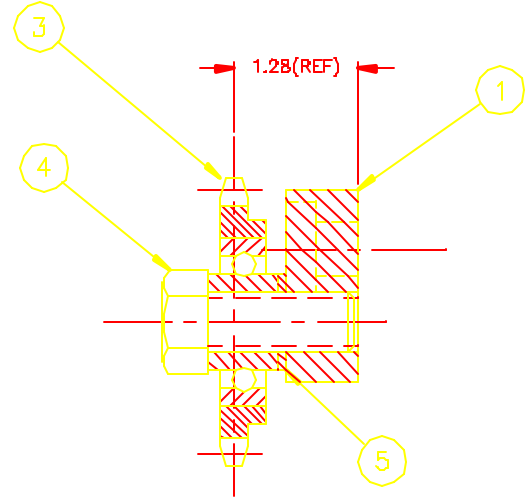
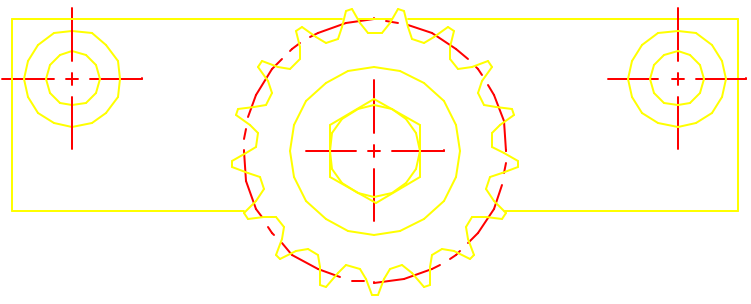


NOTES: UNLESS OTHERWISE SPECIFIED

- 1. REMOVE ALL BURRS AND SHARP EDGES .015
- 2. MACHINED SURFACE ROUGHNESS 125 ✓

REVISIONS						
ZONE	LTR	DESCRIPTION	EDR	DATE	BY	APPRV



QTY REQD	PART OR IDENTIFYING NO	DESCRIPTION	MATERIAL/SPECIFICATION	ZONE	REV NO
					10
					9
					8
					7
					6
1		5/8 ID X 1 OD X 14CA MACH. BUSHING			5
1		5/8-11 x 1.5 LG HEX HD CAP SCR			4
1	5A551	IDLER SPROCKET-#4D CHAIN,17 T	GRANGER		3
					2
1	2150.2B1B031	MOUNT-SPROCKET			1

TOLERANCES UNLESS OTHERWISE NOTED DECIMALS .XX ± .03 FRACTIONS ± - ANGULAR ± 0'30"		NATIONAL OPTICAL ASTRONOMY OBSERVATORIES OPERATED BY THE ASSOCIATION OF UNIVERSITIES FOR RESEARCH IN ASTRONOMY UNDER COOPERATIVE AGREEMENT WITH NATIONAL SCIENCE FOUNDATION	
NEXT ASSEMBLY 2150.281E002		NAME IDLER ASSY	
		REF FILE 1175	
		USED ON	
SCALE FULL	DESIGNED BY J.HOEY	DATE 02/05/99	APPROVED BY
DRAWING PRODUCED USING AUTOCAD v.14	CHECKED BY	DATE	APPROVED BY
PRINT REVIEW			
		DWG NO 2150.281C082	
		REV	