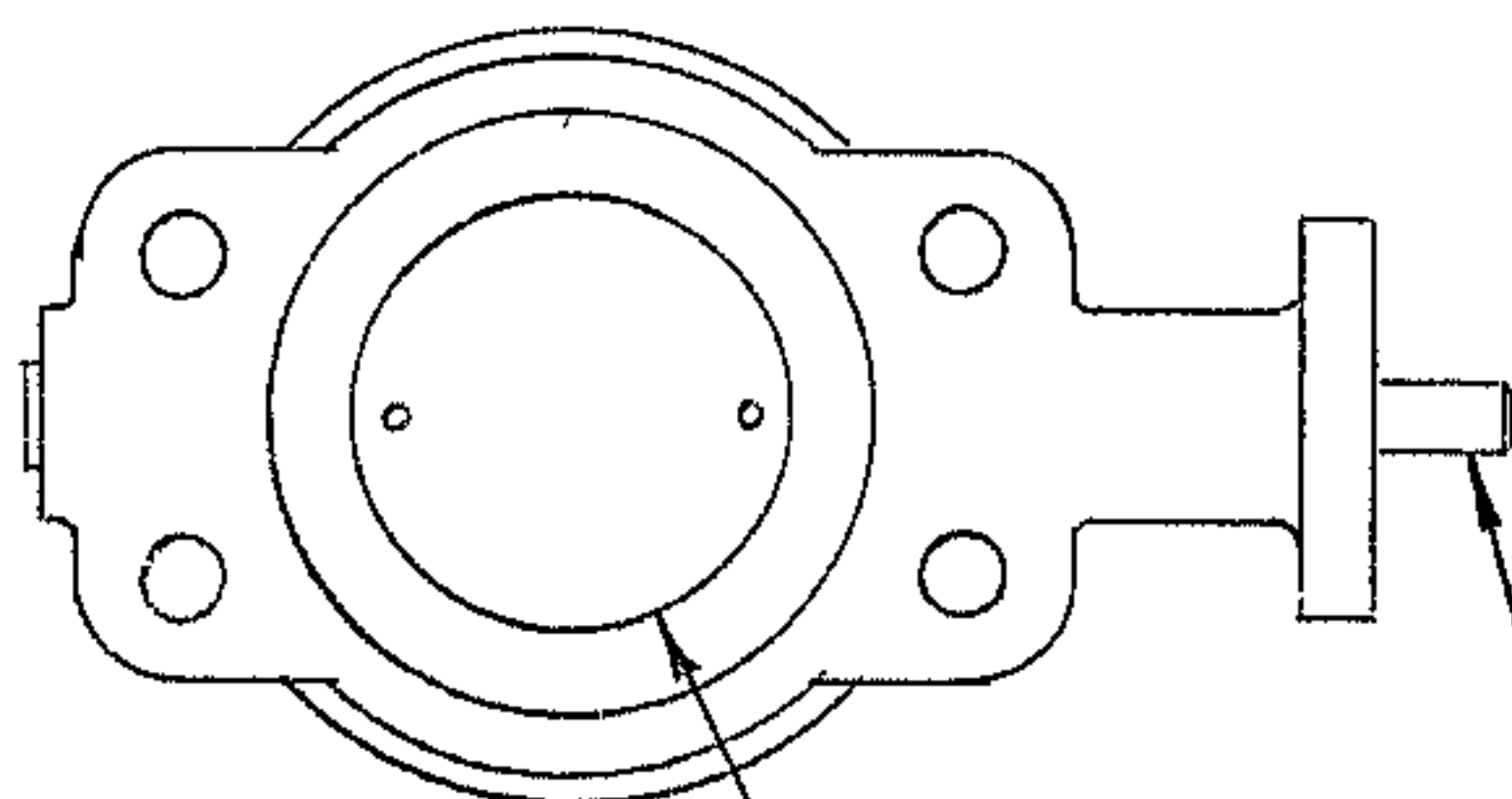


THIS DOCUMENT CONTAINS INFORMATION PROPRIETARY TO WESTERN GEAR CORPORATION. ALL DESIGN, MANUFACTURING, REPRODUCTION, USE, PATENT AND SALES RIGHTS REGARDING THE SAME ARE HEREBY EXPRESSLY RESERVED BY WESTERN GEAR CORPORATION. THIS DOCUMENT IS SUBMITTED FOR REFERENCE PURPOSES ONLY AND SHALL NOT BE DISCLOSED TO ANY UNAUTHORIZED PERSON OR INCORPORATED INTO ANY OTHER PROJECT.

REVISIONS				
ZONE	LTR	DESCRIPTION	DATE	APPROVED

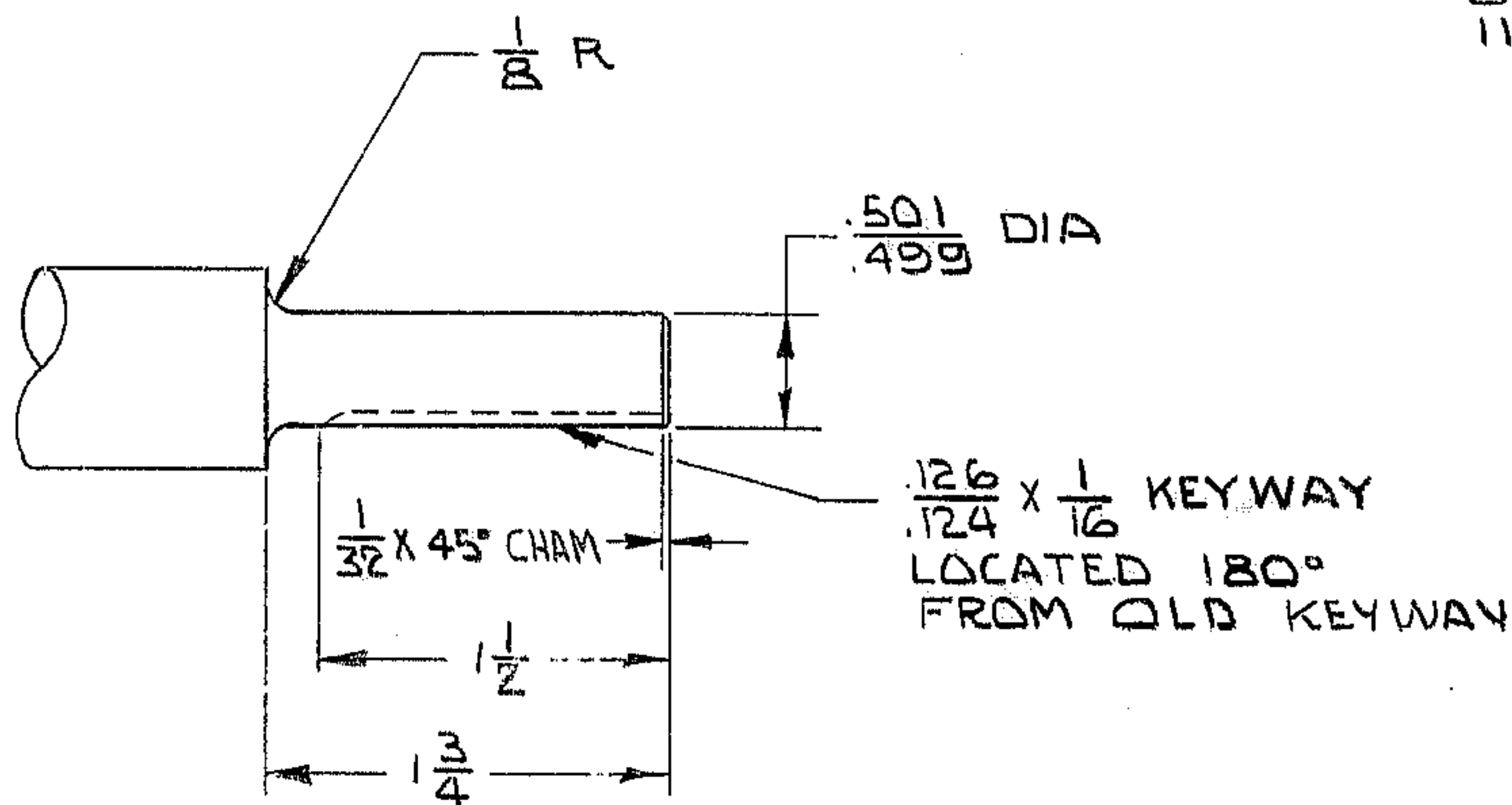


REWORK THIS END OF SHAFT PER DETAIL A.

NOTES.

- MAT'L. CENTERLINE SERIES A VALVE WITH RAMCON ACTUATOR 8 INCH VALVE - No. 25 B-WP - 110 VOLT - SINGLE PHASE ACTUATOR

REWORK BUTTERFLY UNTIL MAX. TORQUE TO COMPLETELY OPEN AND CLOSE VALVE DOES NOT EXCEED 250 IN-LB. THE MAX ALLOWABLE GAP BETWEEN BUTTERFLY AND RESILANT SEAT IS 1/32 IN.



DETAIL A

REF. FILE 1175

LIMITS ON MACHINED DIMENSIONS EXCEPT AS NOTED ANGULAR ± 1° 0' LINEAR X = ± .1 .XX = ± .03 .XXX = ± .010 FRACTIONAL ± 1/32 BREAK ALL SHARP EDGES	DRAWN LDS	WESTERN HEAVY MACHINERY DIVISION GEAR CORPORATION EVERETT, WASHINGTON			
	CHECK	VALVE REWORK CENTER SECTION & P.M. COVER			
	ENGR SKILES	SIZE B	CODE IDENT NO. 16603	2150.2813096	REV
	APPROVED	SCALE NONE	WT. ---	LB	SHEET 1 OF 1