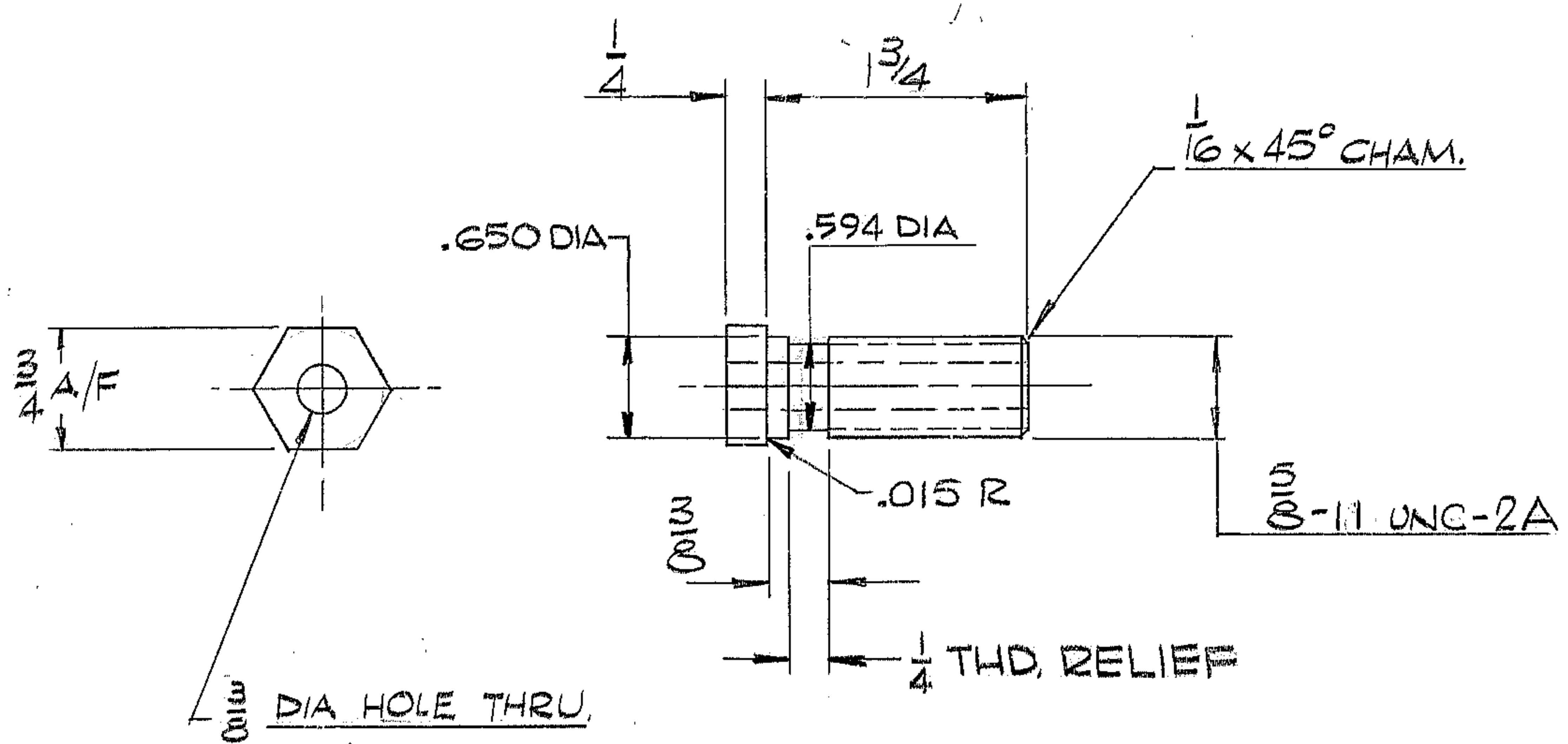


REVISIONS				
ZONE	LTR	DESCRIPTION	DATE	APPROVED
4D	A	1 3/4 DIMENSION WAS 1 5/8	10/15/68	
	A	APPROVED PER AURA CONSTRUCTION PRINT 9-20-68		
	B	ADDED THD. RELIEF	7-18-71	JW



- NOTES:
- ALL DIMENSIONS IN INCHES
  - MATL. STL. HEX. BAR  
3/4 A/F AISI C1018
  - TAG WITH PART NO. 2150.281B030
  - FINISH  $125$  ALL OVER EXCEPT AS NOTED

REF. LINE 1175

WESTERN GEAR CORPORATION  
CONSTRUCTION PROJECTS  
DEPARTMENT  
APPROVED FOR  
PROCUREMENT  
P.G. DATE 11/21/68

NEXT ASSY. 2150.281 E002 (WGN 103002)

LIMITS ON MACHINED DIMENSIONS EXCEPT AS NOTED  
ANGULAR  $\pm 1^\circ 0'$   
LINEAR  
.X =  $\pm .1$   
.XX =  $\pm .03$   
.XXX =  $\pm .010$   
FRACTIONAL  $\pm 1/32$   
BREAK ALL SHARP EDGES

150 IN STELLAR TELESCOPE MOUNTING  
DRAWN MAUNDERS 8/31/68  
CHECK JWI 8/15/68  
ENGR  
WGC 112632  
APPROVED

**Western GEAR CORPORATION** HEAVY MACHINERY DIVISION  
EVERETT, WASHINGTON  
SCREW, ADJUSTABLE.  
DUST COVER & RIS ASSY PRIMARY MIRROR  
SIZE B CODE IDENT NO. 2150.281 B030 REV B  
SCALE 1/8" IN WT. LB SHEET OF