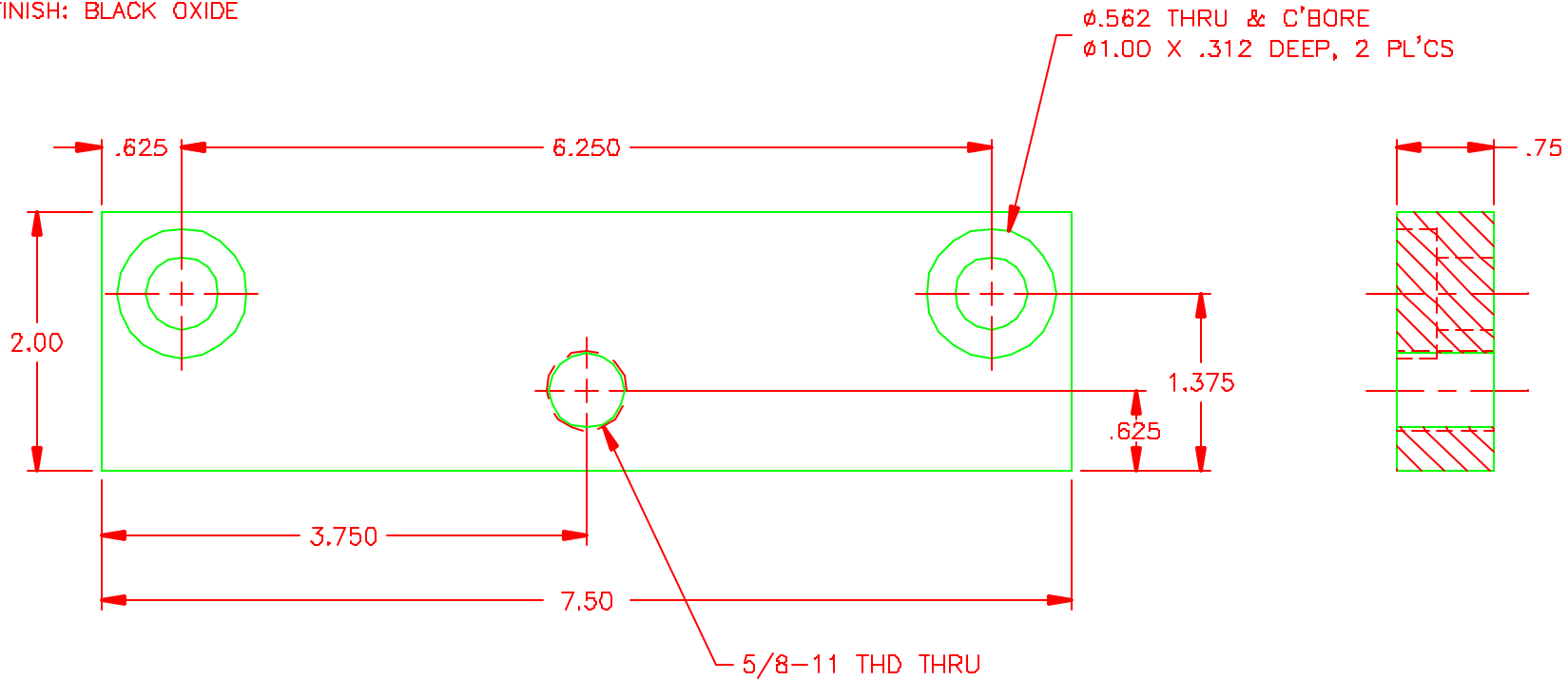


NOTES: UNLESS OTHERWISE SPECIFIED

1. REMOVE ALL BURRS AND SHARP EDGES .015
2. MACHINED SURFACE ROUGHNESS 125 ✓
3. MAT'L: STEEL 1010-1018
4. FINISH: BLACK OXIDE

REVISIONS

LTR	DESCRIPTION	EGR	DATE	BY	APRV
-----	-------------	-----	------	----	------



TOLERANCES UNLESS OTHERWISE NOTED		
DECIMALS	FRACTIONS	ANGULAR
.XX ± .03	± -	± 0'30"
.XXX ± .010		

NATIONAL OPTICAL ASTRONOMY OBSERVATORIES
 OPERATED BY THE
 ASSOCIATION OF UNIVERSITIES FOR RESEARCH IN ASTRONOMY
 UNDER COOPERATIVE AGREEMENT WITH
 NATIONAL SCIENCE FOUNDATION

NEXT ASSEMBLY 2150.281C082	NAME MOUNT-SPROCKET	REF FILE 1175
SCALE FULL	DESIGNED BY J.HOEY	DATE 02/02/99
DRAWING PRODUCED USING AUTOCAD v.14	CHECKED BY	DATE
ISSUED	APPROVED BY	DATE
DWG NO 2150.281B031		REV
RELEASED	SHEET	OF