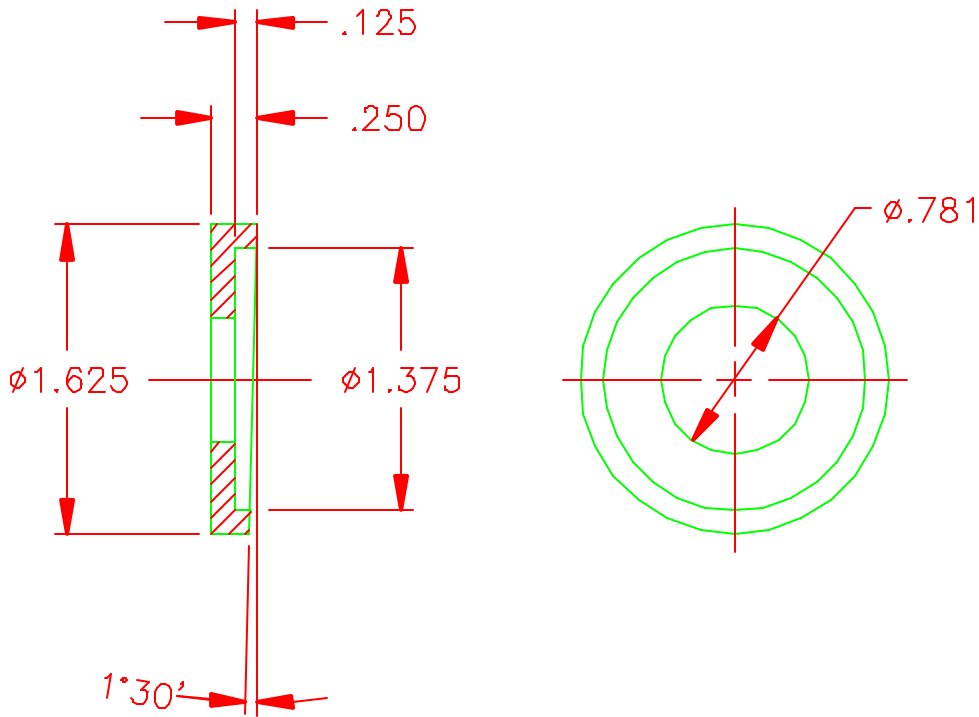


NOTES: UNLESS OTHERWISE SPECIFIED

1. REMOVE ALL BURRS AND SHARP EDGES .010 R MAX
2. MACHINED SURFACE ROUGHNESS 125 ✓
3. MAT'L: ALUMINUM ALLOY 6061-T6
4. FINISH: BLACK ANODIZE

REVISIONS

LTR	DESCRIPTION	ECR	DATE	BY	APRV
-----	-------------	-----	------	----	------



TOLERANCES UNLESS OTHERWISE NOTED
 DECIMALS FRACTIONS ANGULAR
 .XX \pm .03 \pm - \pm 0°30'
 .XXX \pm .010

NATIONAL OPTICAL ASTRONOMY OBSERVATORIES
 OPERATED BY THE
 ASSOCIATION OF UNIVERSITIES FOR RESEARCH IN ASTRONOMY
 UNDER COOPERATIVE AGREEMENT WITH
 NATIONAL SCIENCE FOUNDATION

NEXT ASSEMBLY 2150.281E002	NAME WASHER	REF FILE 1175	
		USED ON	

SCALE FULL	DESIGNED BY	DATE	APPROVED BY	DATE	DWG NO 2150281A125	REV
DRAWING PRODUCED USING AUTOCAD v.14	DRAWN BY J.HOEY	DATE 03/23/99	APPROVED BY	DATE		
ISSUED	CHECKED BY	DATE	APPROVED BY	DATE	RELEASED	SHEET OF