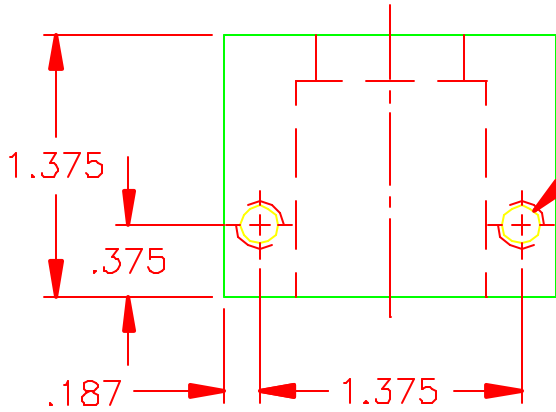


NOTES: UNLESS OTHERWISE SPECIFIED

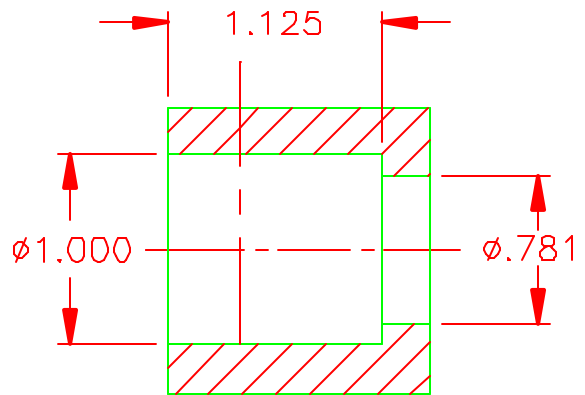
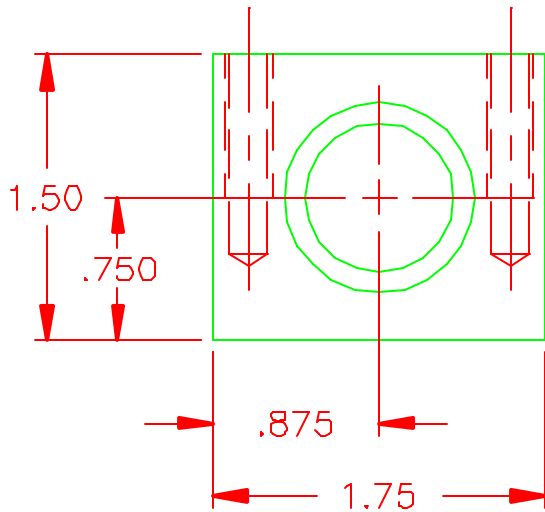
1. REMOVE ALL BURRS AND SHARP EDGES .010 R MAX
2. MACHINED SURFACE ROUGHNESS 125 ✓
3. MAT'L: STEEL 1010-1020
4. FINISH: BLACK OXIDE

REVISIONS

LTR	DESCRIPTION	ECR	DATE	BY	APRV
-----	-------------	-----	------	----	------



1/4-20 THD X 3/4 DP
2 HOLES



TOLERANCES UNLESS OTHERWISE NOTED
 DECIMALS FRACTIONS ANGULAR
 .XX ± .03 ± - ± 0°30'

NATIONAL OPTICAL ASTRONOMY OBSERVATORIES
 OPERATED BY THE
 ASSOCIATION OF UNIVERSITIES FOR RESEARCH IN ASTRONOMY
 UNDER COOPERATIVE AGREEMENT WITH
 NATIONAL SCIENCE FOUNDATION

NEXT ASSEMBLY
2150.281E002

NAME

STOP BLOCK

REF FILE

1175

USED ON

SCALE
FULL

DESIGNED BY

DATE

APPROVED BY

DATE

DWG NO

REV

DRAWING PRODUCED USING
AUTOCAD v.14

DRAWN BY
J.HOEY

DATE
03/15/99

APPROVED BY

DATE

2150.281A123

ISSUED

CHECKED BY

DATE

APPROVED BY

DATE

RELEASED

SHEET

OF