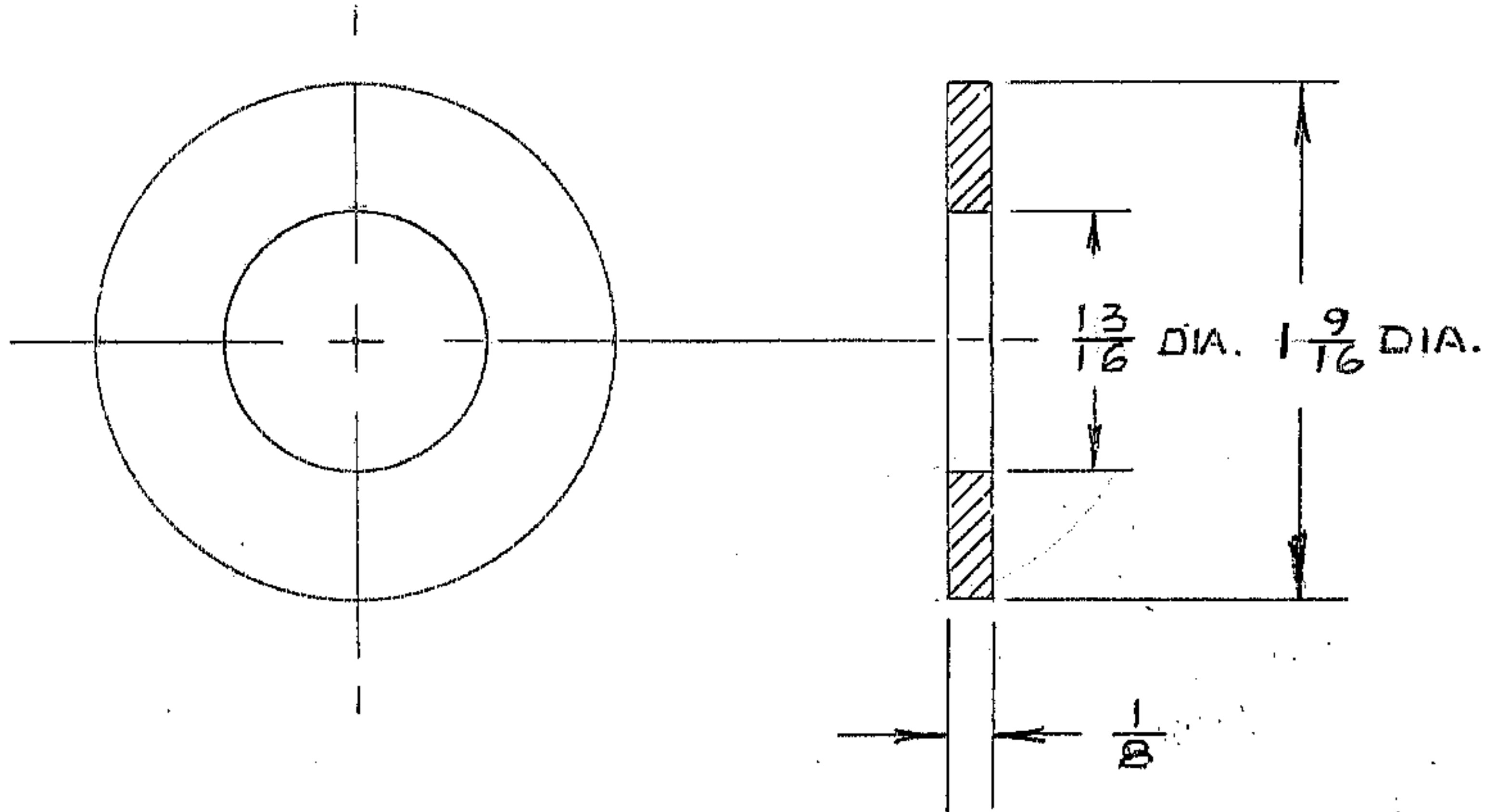


REVISIONS

ZONE	LTR	DESCRIPTION	DATE	APPROVED



NOTES:

1. MAT'L: STL., 1018/1040, CAD. PL.

$\frac{3}{16}$ X $1\frac{5}{8}$ DIA.

2. F.A.O. 250 ✓

REF. FILE 1175

LIMITS ON MACHINED DIMENSIONS EXCEPT AS NOTED

ANGULAR ± 1° 0'

LINEAR

X = ± .1

JX = ± .03

XXX = ± .010

FRACTIONAL ± 1/32

BREAK ALL SHARP EDGES

WESTERN
GEAR CORPORATION

Heavy Machinery
Division

DRAWN J. KELSO, 8-25-72

CHECK

ENGR SKILES

WASHER, FLAT

A302533

SIZE

A

CODE IDENT NO.

16603

2150.281A119

REV

APPROVED

Rok 9-8-72

SCALE 1/2" = 1"

WT.

LB

SHEET

1

OF 1

A 302,533