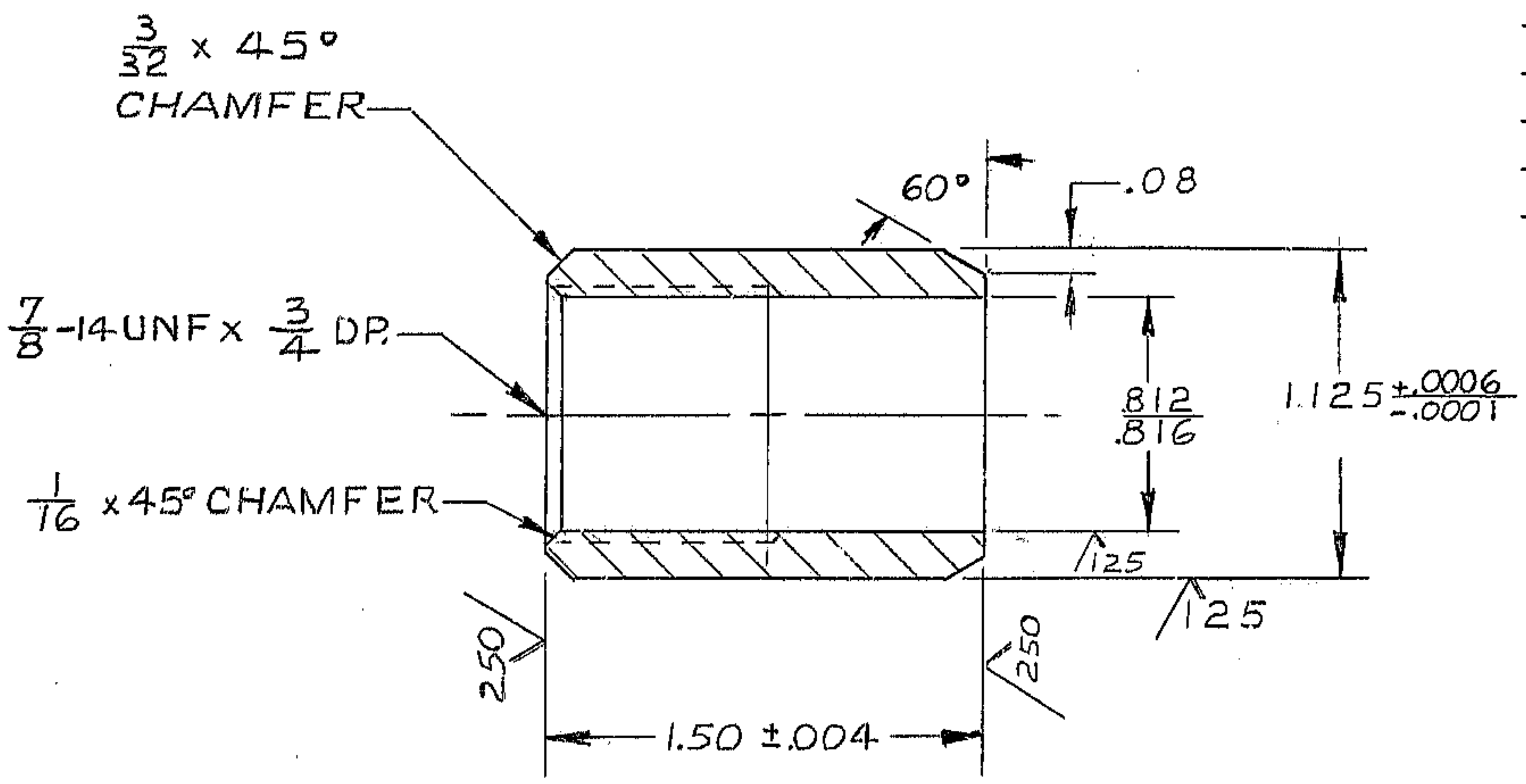


REVISIONS				
ZONE	LTR	DESCRIPTION	DATE	APPROVED



NOTE:

1. MAT'L: STL., AISI 4340, 350 BHN, CAD FL.
 1 1/4 DIA x 1 1/8 LG

REF. FILE 1175

A 302,532

LIMITS ON MACHINED DIMENSIONS EXCEPT AS NOTED ANGULAR ± 1° 0' LINEAR X = ± .1 XX = ± .03 XXX = ± .010 FRACTIONAL ± 1/32 BREAK ALL SHARP EDGES	WESTERN Heavy Machinery Division <small>GEAR CORPORATION</small>			
	DRAWN J. KELSO 8-25-72	<h1>BUSHING</h1>		
	CHECK			
	ENGR SK/ES			
A302532	SIZE A	CODE IDENT NO. 16603	2150.281A 118	REV
APPROVED Rok 9-8-72	SCALE 1 1/2 = 1	WT.	LB	SHEET 1 OF 1