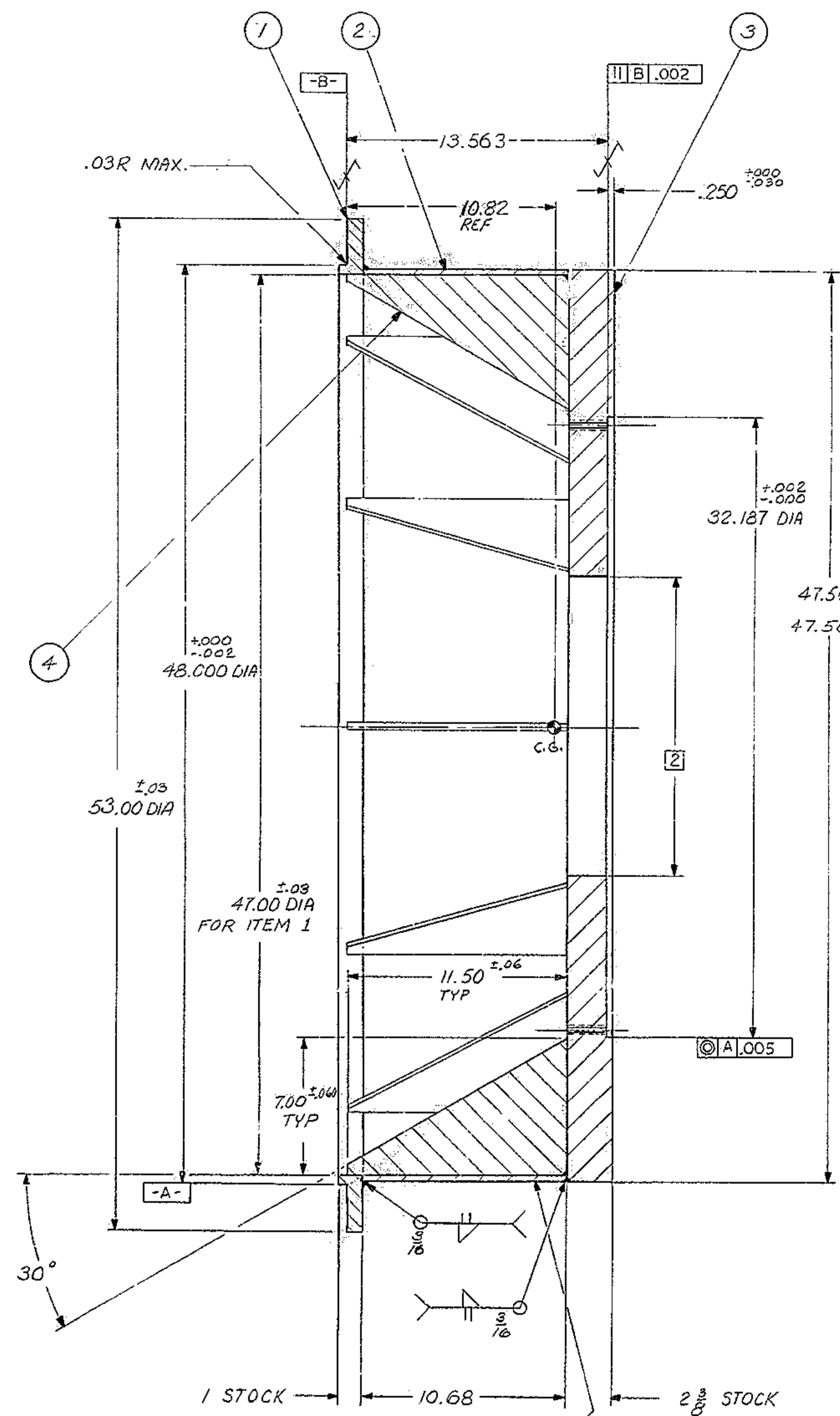
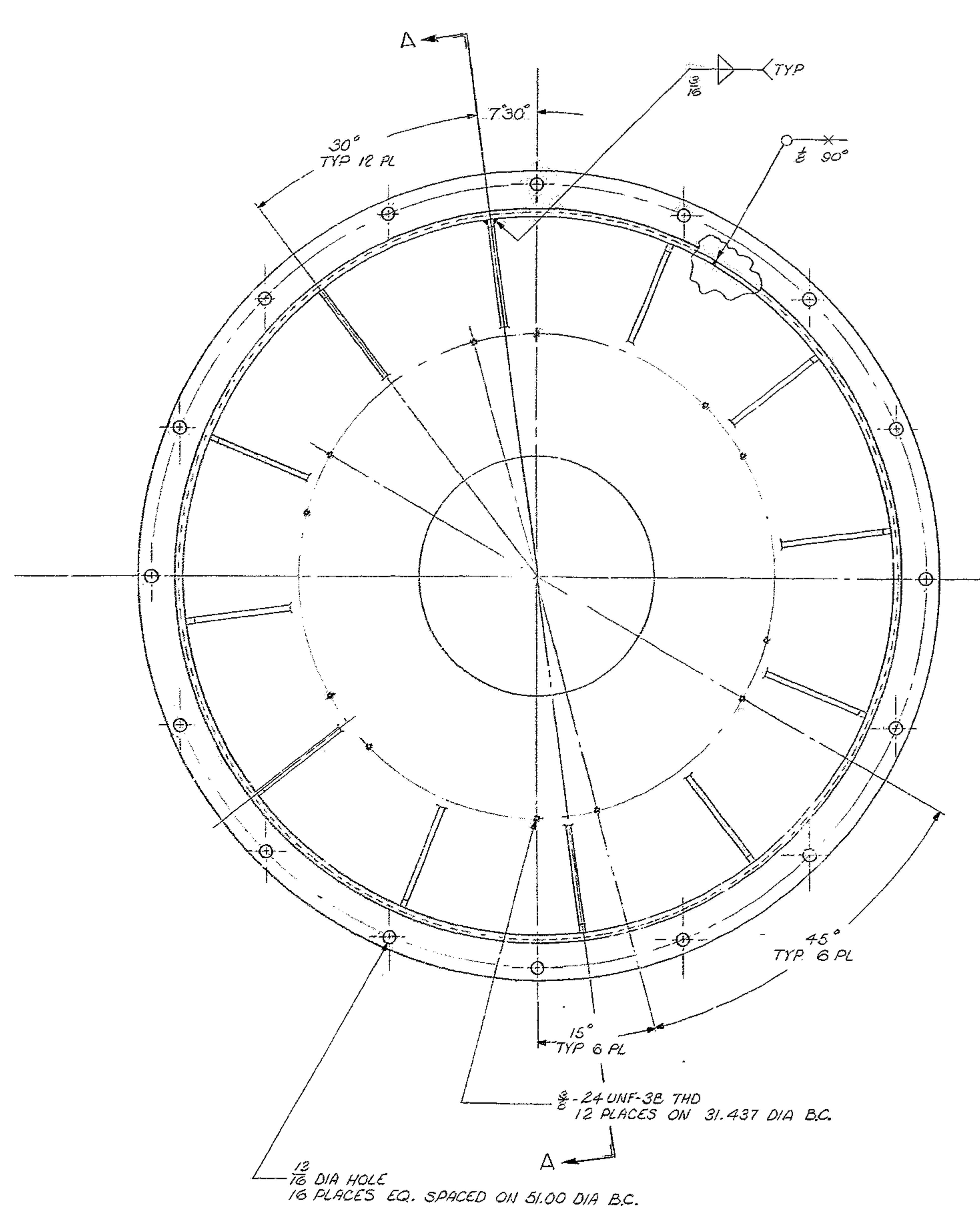


BILL OF MATERIAL					
ITEM	QTY	MATERIAL	DESCRIPTION	WEIGHT	
1	1	ASTM 36 STEEL	1 x 53.00 x 47.10 PLATE	1.33	
2	1	ASTM 36 STEEL	10 7/16 x 1/4 x 143 PLATE	1.12	
3	1	ASTM 36 STEEL	2 7/8 x 4 1/2 OD x 15.10 PLATE	.045	
4	12	ASTM 36 STEEL	7/4 x 7 x 1 1/2 PLATE	.39	
				ROUGH WT	1.364



SECTION A-A
PERMANENT MARK:

150" INSTRUMENT ROTATOR AND GUIDER REPLACEMENT COUNTERWEIGHT
THIS PIECE WEIGHS 1250 AND IS TO BE USED WITH AN 84" INSTRUMENT ROTATOR FOR A TOTAL WEIGHT OF 1600 FOR TELESCOPE BALANCE WHENEVER THE 150" ROTATOR AND GUIDER ARE REMOVED.

- NOTES
1. PRIME ALL OVER EXCEPT THE MACHINED SURFACES & THREADS USING TWO (2) COATS OF STEEL PRIMER MEETING FEDERAL SPEC. TT-P-86a, TYPE II OR EQUAL, CLEAN SURFACES TO BE PRIMED IN ACCORDANCE WITH STEEL STRUCTURE PAINTING COUNCIL SPECS SP-5, BLAST CLEANING TO WHITE METAL
 2. THIS DIMENSION IS TO BE FINISHED TO OBTAIN A TOTAL WEIGHT FOR THE FINISHED PART OF 1250 ± 15 AND THIS DIMENSION IS TO BE NOT LESS THAN 15.00

FOR ASSEMBLY SEE AURA 2120-E128 AND NS 2150.280-E002

TOLERANCES UNLESS OTHERWISE NOTED	
DECIMAL DIMENSIONS	±.001
FRACTIONAL DIMENSIONS	±.001
BREAK SHARP EDGES 0.25	
ALL SURFACES TO HAVE FINISH UNLESS OTHERWISE NOTED.	

KITZ PEAK NATIONAL OBSERVATORY
OPERATED BY THE ASSOCIATION OF UNIVERSITIES FOR RESEARCH IN ASTRONOMY, INC.
UNDER CONTRACT WITH NATIONAL SCIENCE FOUNDATION

150 INCH STELLAR TELESCOPE
NAME: CHSS. INSTRUMENT ROTATOR AND GUIDER REPLACEMENT COUNTERWEIGHT
SCALE: 1/4
PRINT ISSUED

DRAWING NUMBER: 2150.280-E103

REV.	DATE	BY	DESCRIPTION