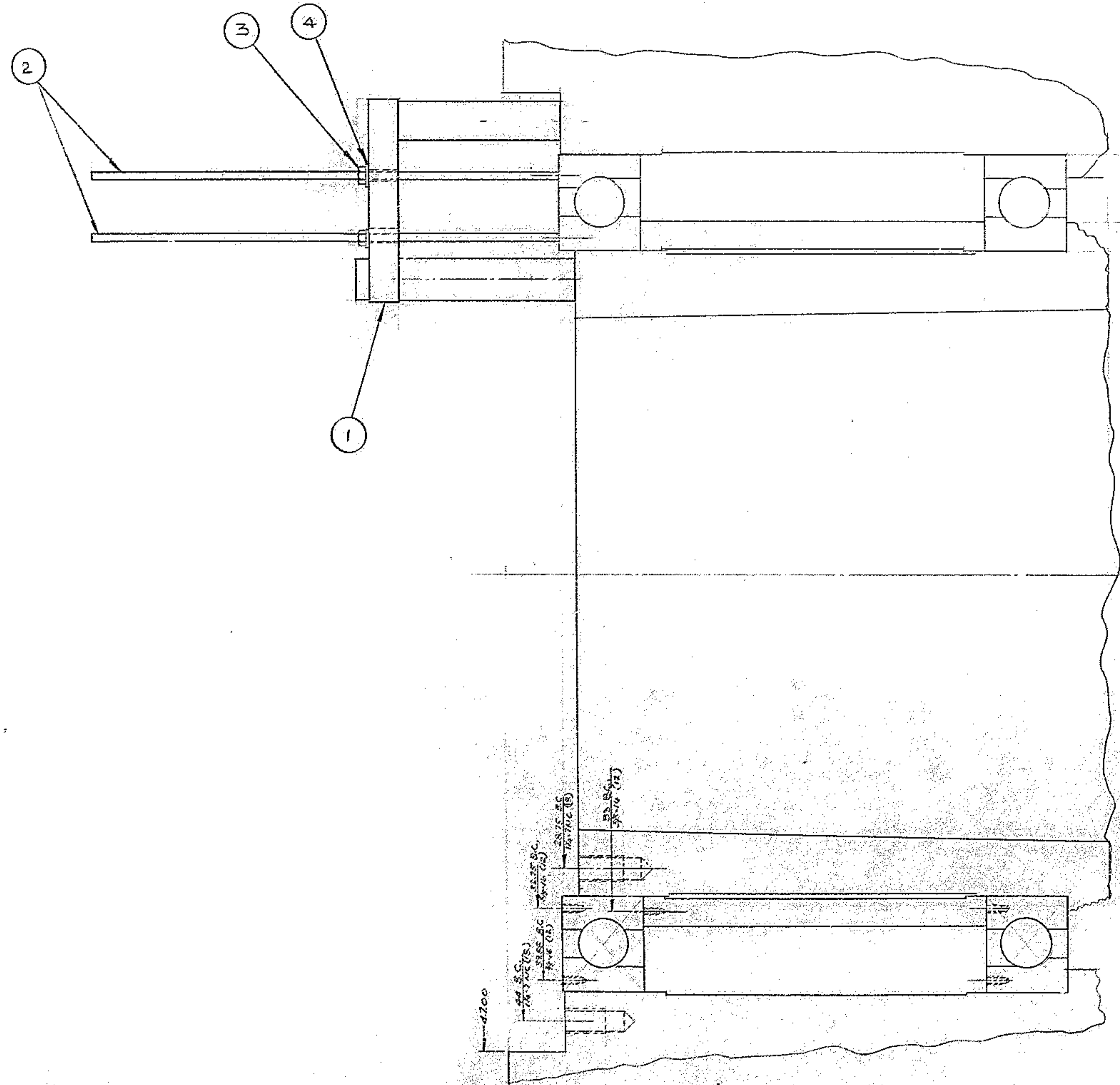


"THIS TECHNICAL DATA, FURNISHED UNDER UNITED STATES GOVERNMENT CONTRACT NO. _____ SHALL NOT BE EITHER RELEASED OUTSIDE THE GOVERNMENT, OR USED, DUPLICATED, OR DISCLOSED IN WHOLE OR IN PART FOR MANUFACTURE OR PROCUREMENT, WITHOUT THE WRITTEN PERMISSION OF WESTERN GEAR CORPORATION EXCEPT FOR: (1) EMERGENCY REPAIR OR OVERHAUL WORK BY OR FOR THE GOVERNMENT WHERE THE ITEM OR PROCESS CONCERNED IS NOT OTHERWISE REASONABLY AVAILABLE TO ENABLE TIMELY PERFORMANCE OF THE WORK OR (2) RELEASE TO A FOREIGN GOVERNMENT AS THE INTERESTS OF THE UNITED STATES MAY REQUIRE, PROVIDED THAT IN EITHER CASE THE RELEASE, USE, DUPLICATION OR DISCLOSURE HEREOF SHALL BE SUBJECT TO THE FOREGOING LIMITATIONS. THIS LEGEND SHALL BE MARKED ON ANY REPRODUCTION HEREOF IN WHOLE OR IN PART."

REVISIONS				
ZONE	LTR	DESCRIPTION	DATE	APPROVED



REF 1174

USED ON ASSY 2150.280EQ02

FIND NO.	PART NO.	DESCRIPTION	QTY	MATERIAL	CODE IDENT
LIST OF MATERIAL (LM)					
LIMITS ON MACHINED DIMENSIONS EXCEPT AS NOTED: ANGULAR = ± 1° 0'				WESTERN HEAVY MACHINERY DIVISION EVERETT, WASHINGTON	
LINEAR: X = ± .1 XXX = ± .010 XX = ± .03 FRACTIONAL = ± 1/32		DRAWN		DEC BRG REMOVAL TOOLING ASSY.	
BREAK ALL SHARP EDGES		ENGR S. J. Lee Jan 1973			
MATERIAL		APPROVED		SIZE CODE IDENT NO. REV	
				D 16603 2150.280D102.	
		SCALE 1/4"		WT LB SHEET 1 OF 1	