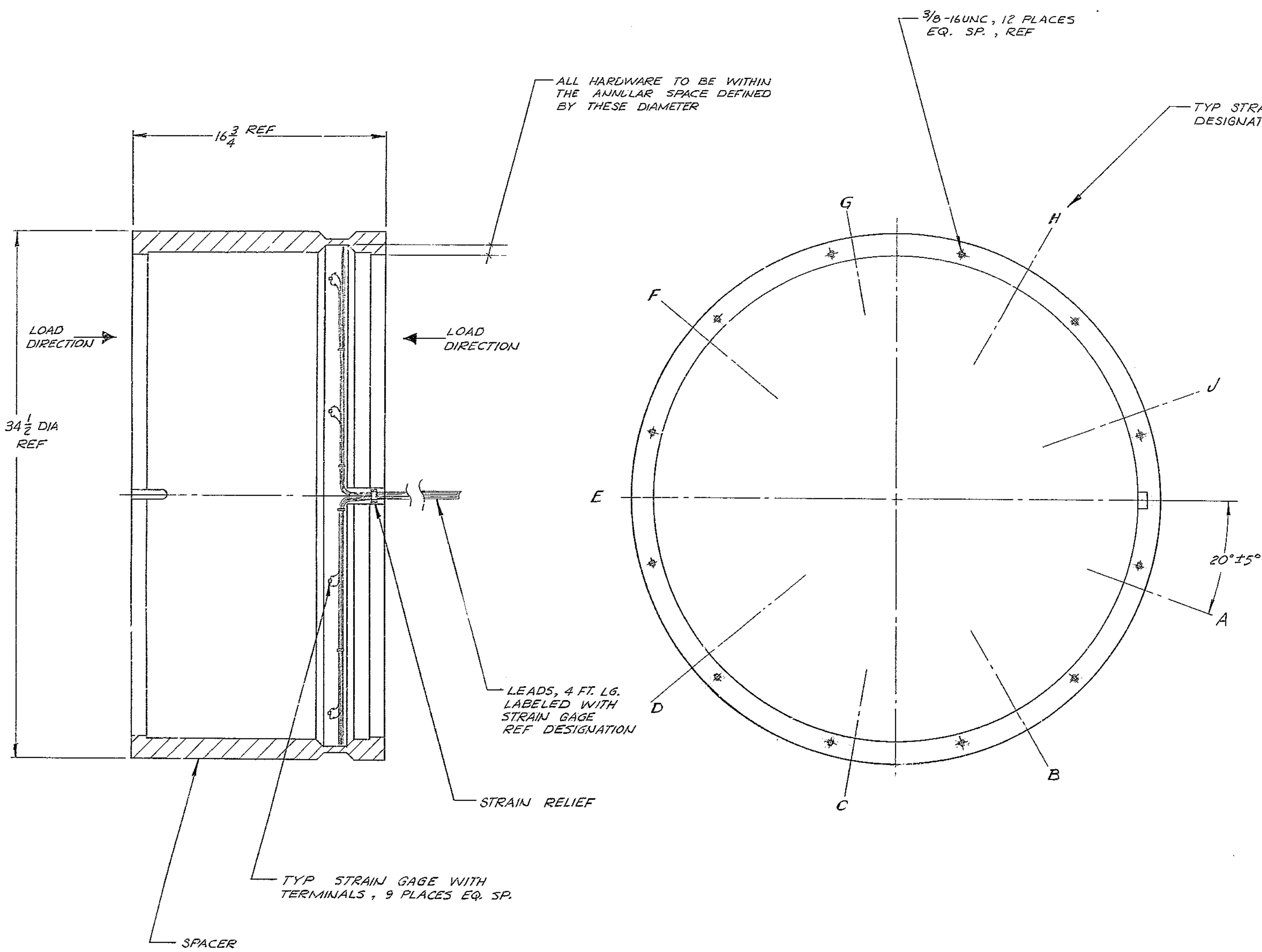


REVISIONS				
ZONE	LTR	DESCRIPTION	DATE	APPROVED
	A	APP'D FOR CONSTRUCTION PER ALRA	9/30/68	



- NOTES:
- VENDOR TO MOUNT 9 SUITABLE STRAIN GAGES COMPLETE WITH ALL NECESSARY HARDWARE AND ROUTE LEAD WIRES OUT NOTCH APPROX AS SHOWN
 - VENDOR TO SUPPLY ALL NECESSARY HARDWARE EXCEPT SPACER W.G.C. PART NO. 2150.280 D006.
 - VENDOR TO TEST, AND FURNISH CURVE OF LOAD VS. POWER OUTPUT FOR COMPRESSIVE LOAD RANGE OF 0 TO 380,000 LB. WHICH CORRESPONDS TO A STRAIN OF APPROX 0 TO .00032 IN/IN @ GAGE LOCATION

REF. FILE 1174

NEXT ASSY: 2150.280 E002 (W.G. N102844)

FIND NO.	PART NO.	DESCRIPTION	QTY	MATERIAL	CODE IDENT
LIST OF MATERIAL (LM)					
LIMITS ON MACHINED DIMENSIONS EXCEPT AS NOTED		150 ¹⁴ STELLAR TELESCOPE MOUNTING			
ANGULAR = ± 1° 0'		DRAWN E.R. 8/6/68			
LINEAR: X = ± .1 .XXX = ± .010		CHECK GENE RUSSO 7AUG68			
XX = ± .03 FRACTIONAL = ± 1/32		ENGR			
BREAK ALL SHARP EDGES		SEE NOTE 2			
MATERIAL		W.G. E '07616		SIZE	CODE IDENT NO.
		APPROVED		D 16603	2150.280 D008
				SCALE 1/4	WT 620 LB SHEET 1 OF 1

WESTERN GEAR CORPORATION
CONSTRUCTION PROJECTS
DEPARTMENT
APPROVED FOR
PROCUREMENT
J.R. DATE 9/30/68

HEAVY MACHINERY DIVISION
EVERETT, WASHINGTON

SPACER ASSY, D.A. BEARING -
CENTER SECTION

REV A