

4

3

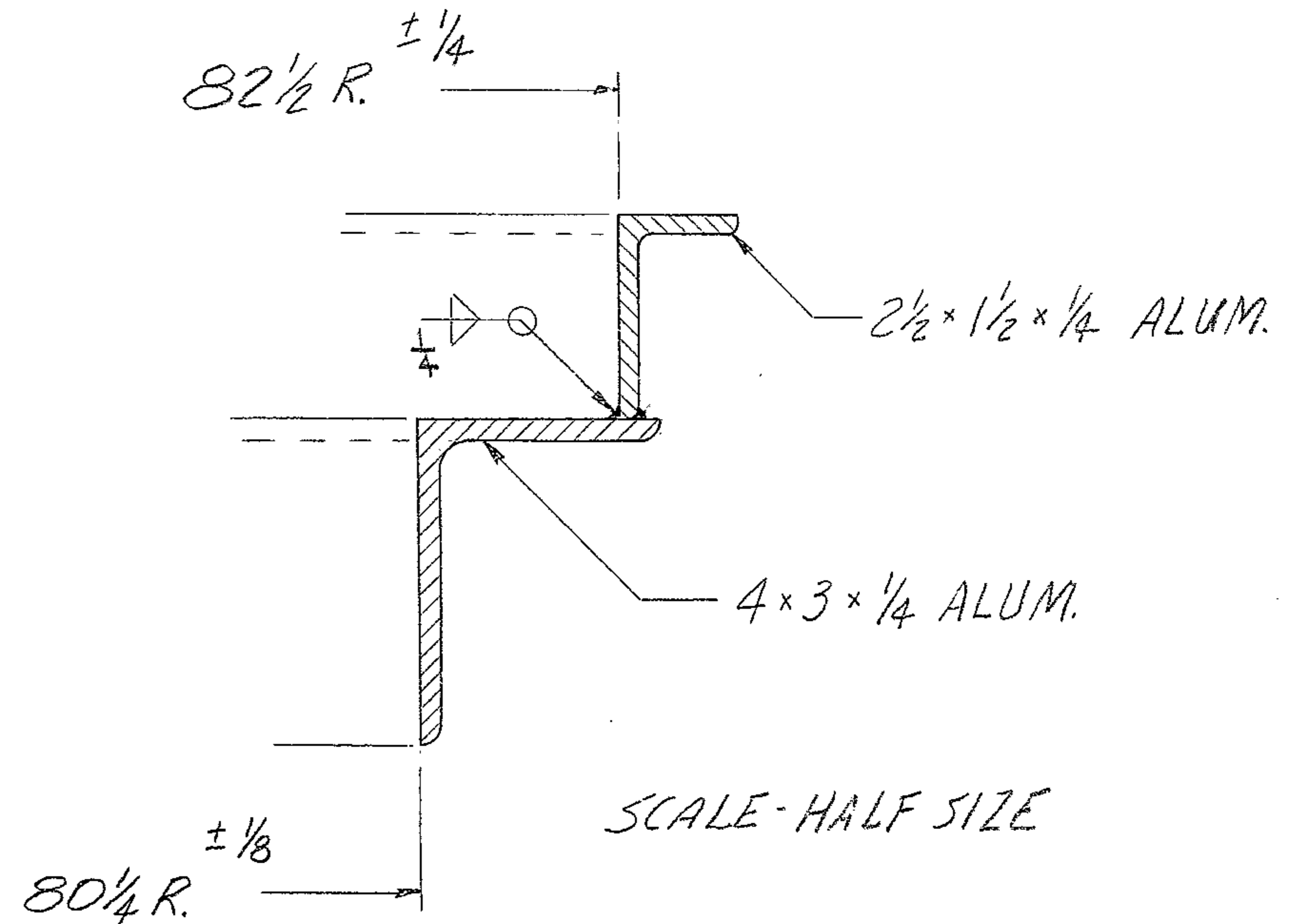
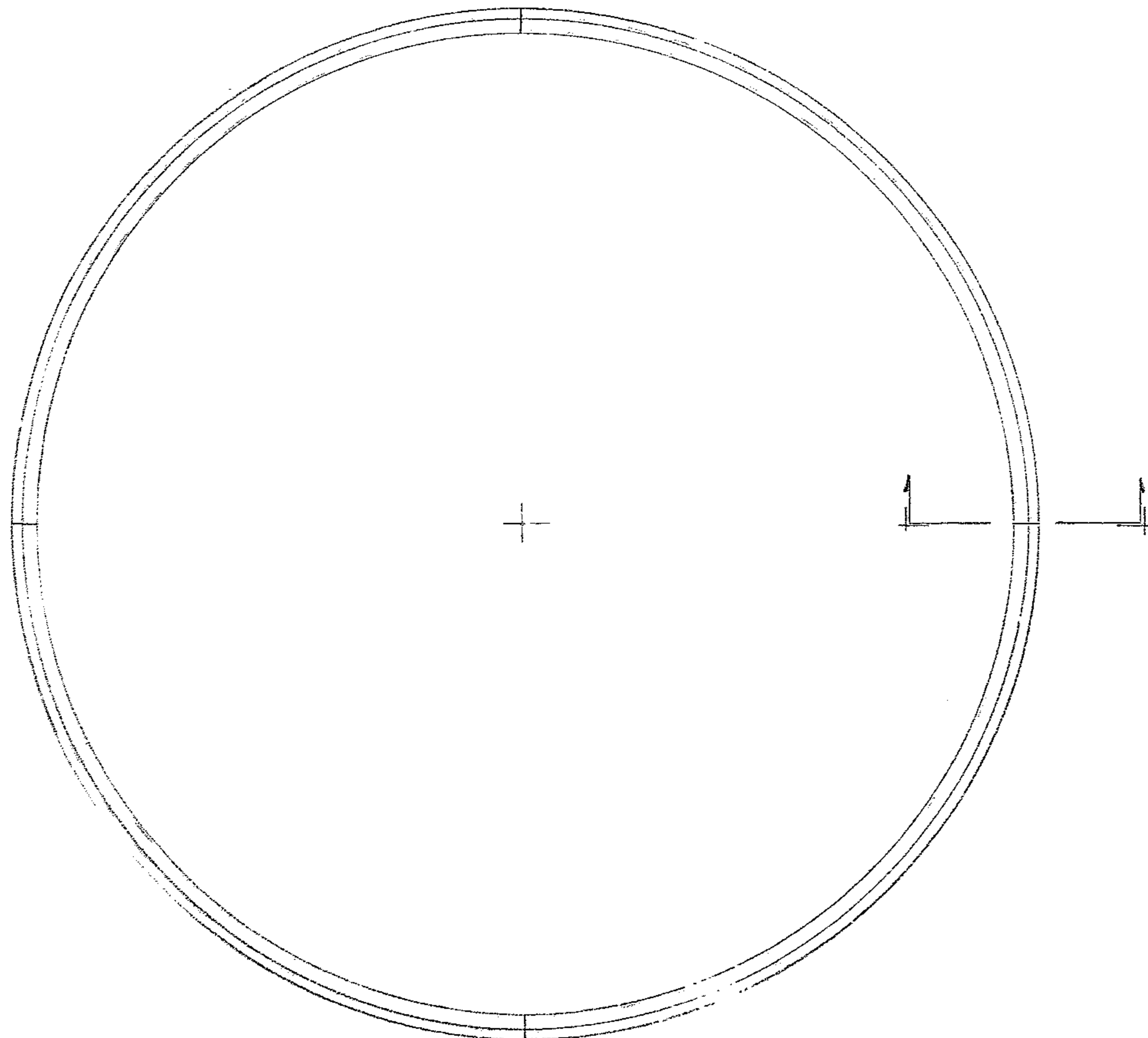
2

1

**NOTES: UNLESS OTHERWISE NOTED**

- 1. REMOVE ALL BURRS AND SHARP EDGES \_\_\_\_\_ R MAX
- 2. MACHINED SURFACE ROUGHNESS  $\sqrt{125}$

REVISIONS						
ZONE	LTR	DESCRIPTION	ECR	DATE	BY	APVD



SCALE -  $\frac{1}{2}'' = 1'-0''$   
 NOTE: CUT RING INTO FOUR  
 90° SEGMENTS.

QTY REQD	PART OR IDENTIFYING NO.	DESCRIPTION	MATERIAL / SPECIFICATION	ITEM NO.
<b>PARTS LIST</b>				
<b>4-M TELESCOPE</b>				
TOLERANCES UNLESS OTHERWISE NOTED			<b>KITT PEAK NATIONAL OBSERVATORY</b> <small>OPERATED BY THE ASSOCIATION OF UNIVERSITIES FOR RESEARCH IN ASTRONOMY, INC.            UNDER CONTRACT WITH NATIONAL SCIENCE FOUNDATION</small>	
DECIMALS	FRACTIONS	ANGULAR		
.XX ± .03	±	± 0° 30'		
.XXX ± .010				
NEXT ASSEMBLY	NAME	REF FILE		
2150.280D031	MIRROR WASH RING	1174		
SCALE NOTED	DESIGNED BY	DATE	APPROVED BY	DATE
PRINT ISSUED	DRAWN BY	DATE	APPROVED BY	DATE
	CHECKED BY	DATE	APPROVED BY	DATE
			DWG NO.	REV
			2150.280C032	
			RELEASE DATE	11-15-73

4

3

2

RAC 11-15-73

1