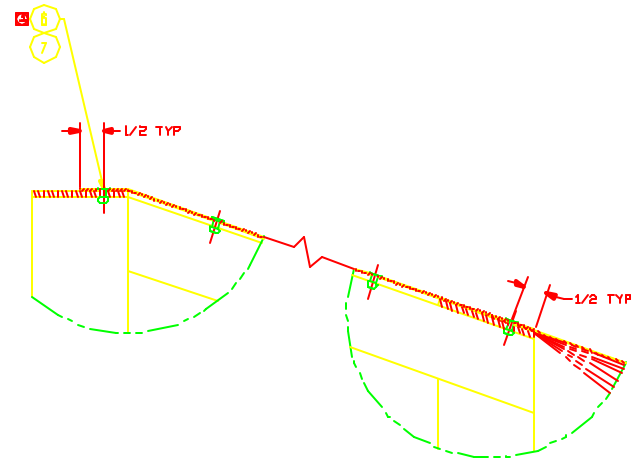
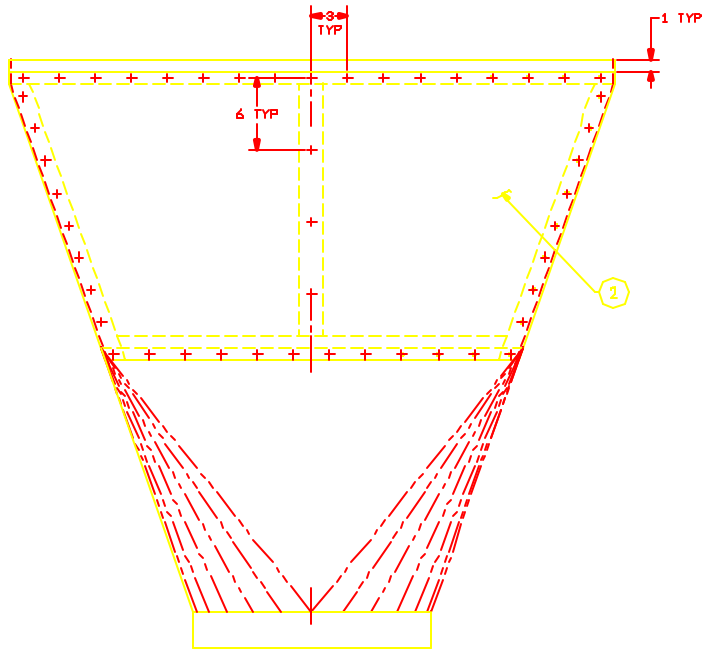
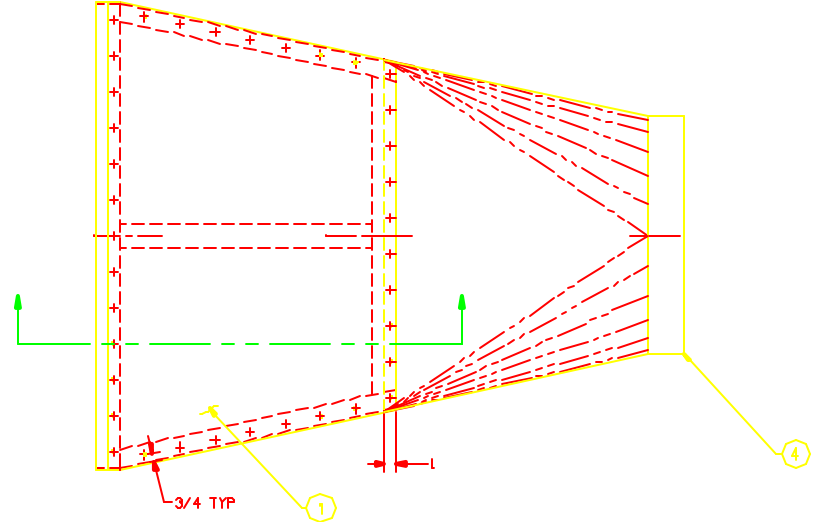
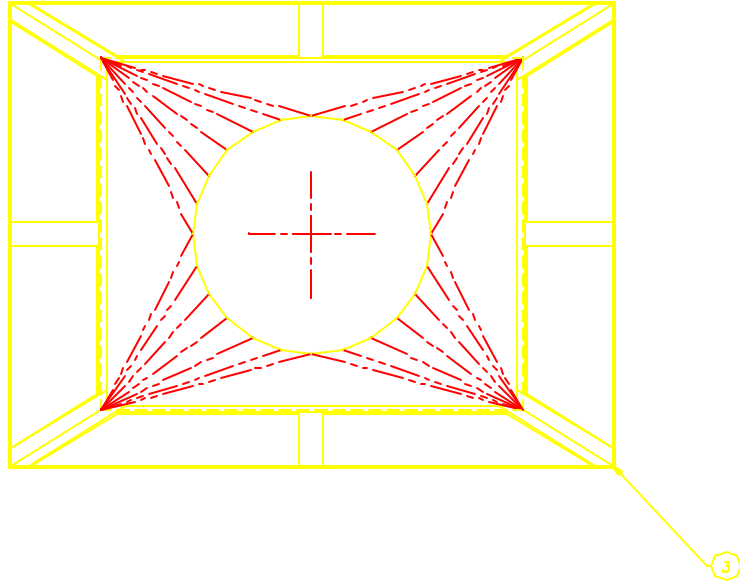


**NOTICE: UNLESS OTHERWISE SPECIFIED**

1. FINISH ALL EDGES AND SURF CORNERS
2. MACHINED SURFACE ROUGHNESS 1.25
3. ASSEMBLE ITEMS 1, 2, 3 & 4 TO FRAME (ITEM 5) WITH SLIDING BEAD & POP RIVETS (ITEM 6)



**TYPICAL SECTION**  
FULL SIZE

			12	12
			11	11
			10	10
			9	9
			8	8
			7	7
			6	6
			5	5
			4	4
			3	3
			2	2
			1	1

NATIONAL OPTICAL ASTRONOMY OBSERVATORY LABORATORY OF THE UNIVERSITY OF TEXAS AT AUSTIN 2500 RED RIVER ST. AUSTIN, TEXAS 78712-1083 TEL: 512/251-1500 FAX: 512/251-1501 WWW: WWW.NOO.OA.USGPO.GOV	NATIONAL OPTICAL ASTRONOMY OBSERVATORY LABORATORY OF THE UNIVERSITY OF TEXAS AT AUSTIN 2500 RED RIVER ST. AUSTIN, TEXAS 78712-1083 TEL: 512/251-1500 FAX: 512/251-1501 WWW: WWW.NOO.OA.USGPO.GOV
DATE: 08/21/01 DRAWN BY: [Name] CHECKED BY: [Name]	DATE: 08/21/01 DRAWN BY: [Name] CHECKED BY: [Name]
PART NUMBER: 2150.267E001 NAME: DUCT-ASSY FILTER TO BLOWER	REV: 1 REV: 2 REV: 3 REV: 4 REV: 5 REV: 6 REV: 7 REV: 8 REV: 9 REV: 10 REV: 11 REV: 12
1/25/01 2150.267E018	1/25/01 2150.267E018

H  
G  
F  
E  
D  
C  
B  
A

8 7 6 5 4 3 2 1