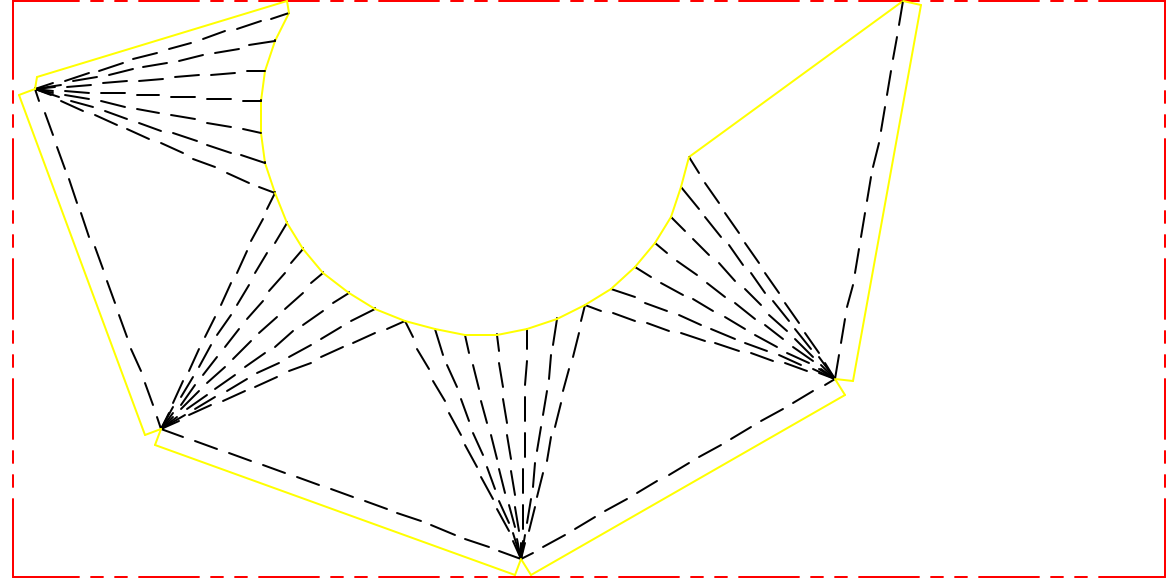
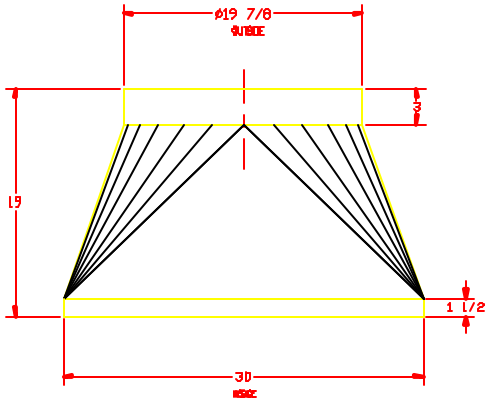
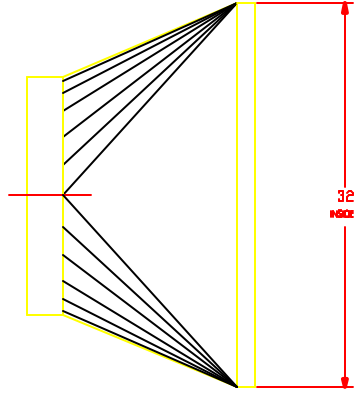
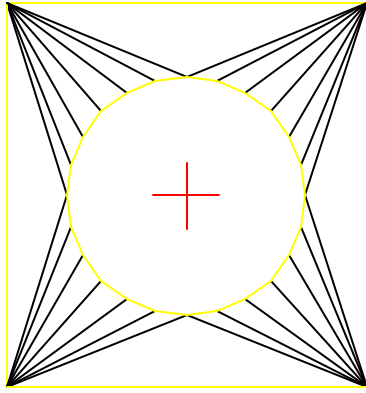


NOTES: UNLESS OTHERWISE SPECIFIED
 1. FINISH ALL EDGES AND SURF COSED
 2. MACHINED SURFACE ROUGHNESS 125
 3. MTL: 304 GA GALVANNEZ STEEL
 4. TYPICAL



DEVELOPMENT
 4" X 8" SHEET (REF)

DATE	REV	BY	CHK	APP
NATIONAL OPTICAL ASTRONOMY OBSERVATORY LABORATORY OF THE POWER BY XE LABORATORY OF THE POWER BY XE LABORATORY OF THE POWER BY XE		NATIONAL OPTICAL ASTRONOMY OBSERVATORY LABORATORY OF THE POWER BY XE LABORATORY OF THE POWER BY XE LABORATORY OF THE POWER BY XE		
2150.267E001 2150.267E001	DUCT-TRANSITION COOLER TO AIR VALVE	1171	2150.267E014	