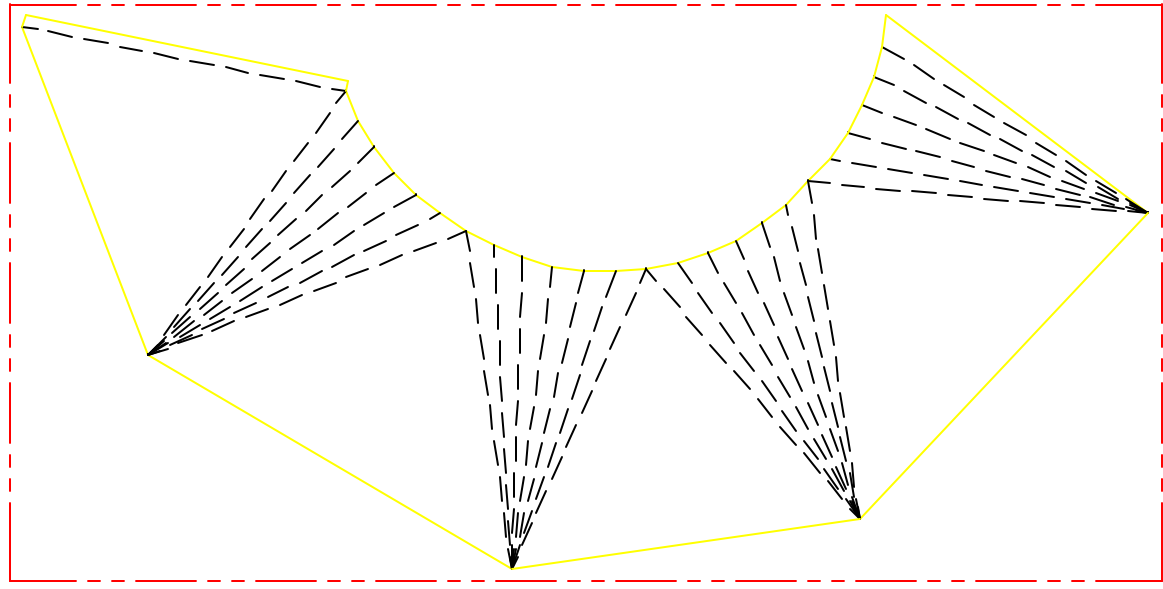
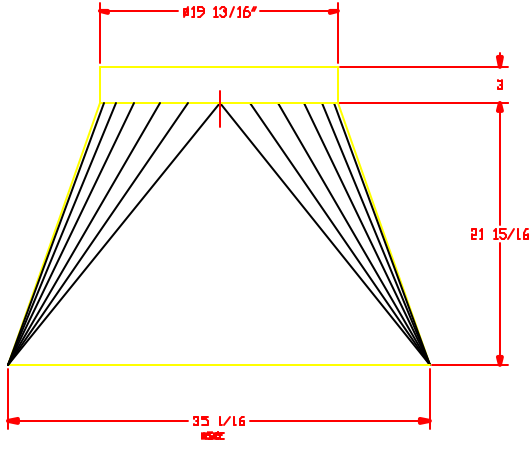
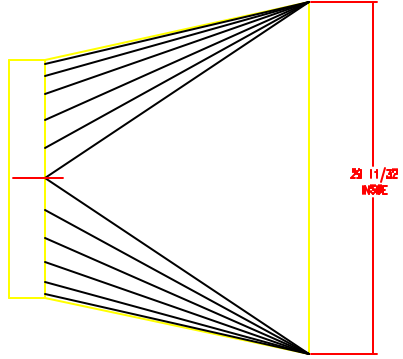
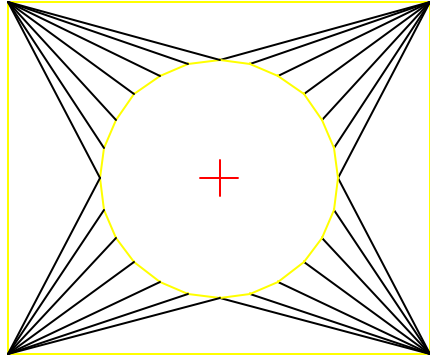


- NOTES: UNLESS OTHERWISE SPECIFIED
1. REMOVE ALL BURRS AND SHARP EDGES
 2. MACHINED SURFACES: FINISH: 320
 3. MTL: 304 GA (300) STAINLESS STEEL
 4. TYPICAL



DEVELOPMENT
4' X 8' SHEET (REF)

2150.267E012 NATIONAL OPTICAL ASTRONOMY OBSERVATORY UNIVERSITY OF TEXAS AT DALLAS DALLAS, TEXAS 75275-1059	2150.267E012 NATIONAL OPTICAL ASTRONOMY OBSERVATORY UNIVERSITY OF TEXAS AT DALLAS DALLAS, TEXAS 75275-1059
2150.267E012 NATIONAL OPTICAL ASTRONOMY OBSERVATORY UNIVERSITY OF TEXAS AT DALLAS DALLAS, TEXAS 75275-1059	2150.267E012 NATIONAL OPTICAL ASTRONOMY OBSERVATORY UNIVERSITY OF TEXAS AT DALLAS DALLAS, TEXAS 75275-1059
2150.267E012 NATIONAL OPTICAL ASTRONOMY OBSERVATORY UNIVERSITY OF TEXAS AT DALLAS DALLAS, TEXAS 75275-1059	2150.267E012 NATIONAL OPTICAL ASTRONOMY OBSERVATORY UNIVERSITY OF TEXAS AT DALLAS DALLAS, TEXAS 75275-1059
2150.267E012 NATIONAL OPTICAL ASTRONOMY OBSERVATORY UNIVERSITY OF TEXAS AT DALLAS DALLAS, TEXAS 75275-1059	2150.267E012 NATIONAL OPTICAL ASTRONOMY OBSERVATORY UNIVERSITY OF TEXAS AT DALLAS DALLAS, TEXAS 75275-1059