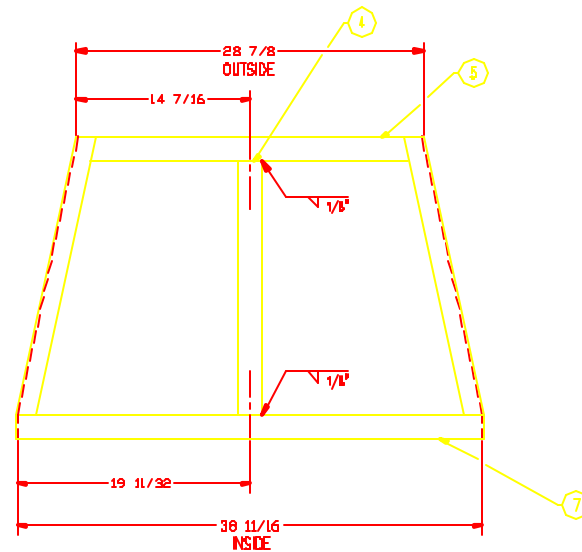
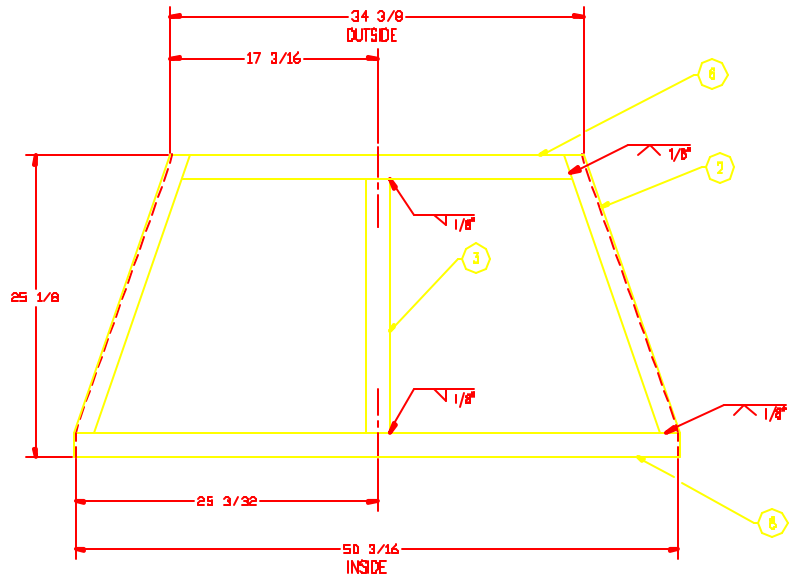
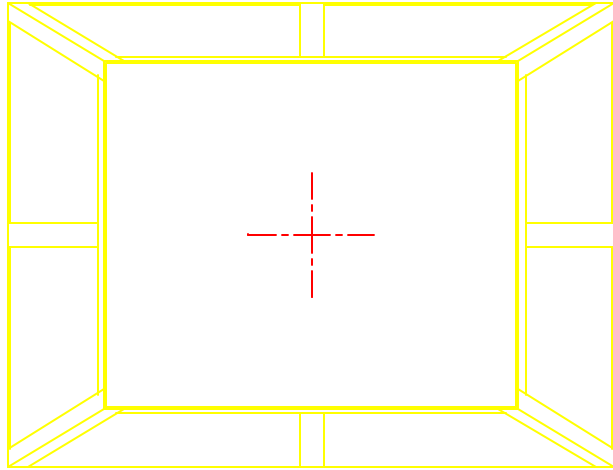


NOTICE: UNLESS OTHERWISE SPECIFIED  
 1. FINISH ALL EDGES AND SURF COEDS  
 2. MACHINED SURFACES ROUNDED 1/8"  
 3. FINISH CO. GRADE RED OXIDE PRIMER (ITEM 1 ONLY)



REV	DATE	DESCRIPTION	BY	CHK	APP
1		QUANTITY			
2		2 X 1/8 X 22 7/8 FLAT			
3		2 X 1/8 X 28 11/16 FLAT			
4		2 X 1/8 X 25 7/8 FLAT			
5		2 X 1/8 X 25 14/32 FLAT			
6		2 X 1/8 X 22 11/16 FLAT			
7		2 X 1/8 X 21 11/32 FLAT			
8		1 1/2 X 1 1/2 X 1/8 X 28 9/16 ANGLE STEEL			
9					
10					
11					
12					
13					
14					
15					
16					

NATIONAL OPTICAL ASTRONOMY OBSERVATORY 4900 S. CAVE AVENUE TUCSON, AZ 85726-0800 TEL: 520/318-7500 FAX: 520/318-7501 WWW: NOAO.EDU	NATIONAL OPTICAL ASTRONOMY OBSERVATORY 4900 S. CAVE AVENUE TUCSON, AZ 85726-0800 TEL: 520/318-7500 FAX: 520/318-7501 WWW: NOAO.EDU
REV: 11/2017 2150.267E01B	NAME: DUCT-FRAME AIR FILTER QTY: 1171
DATE: 08/20/2018 2150.267E011	REV: 11/2017