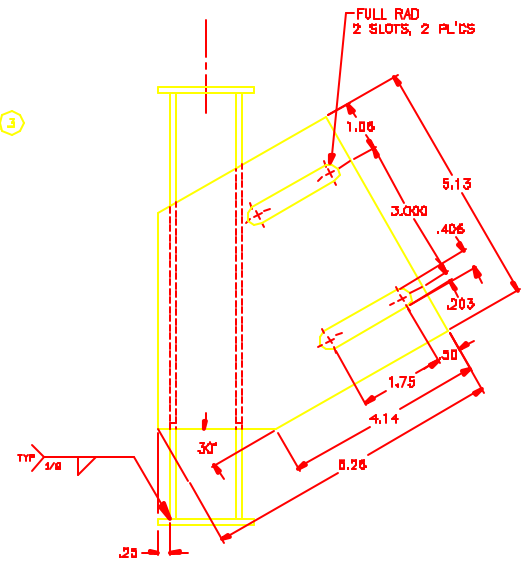
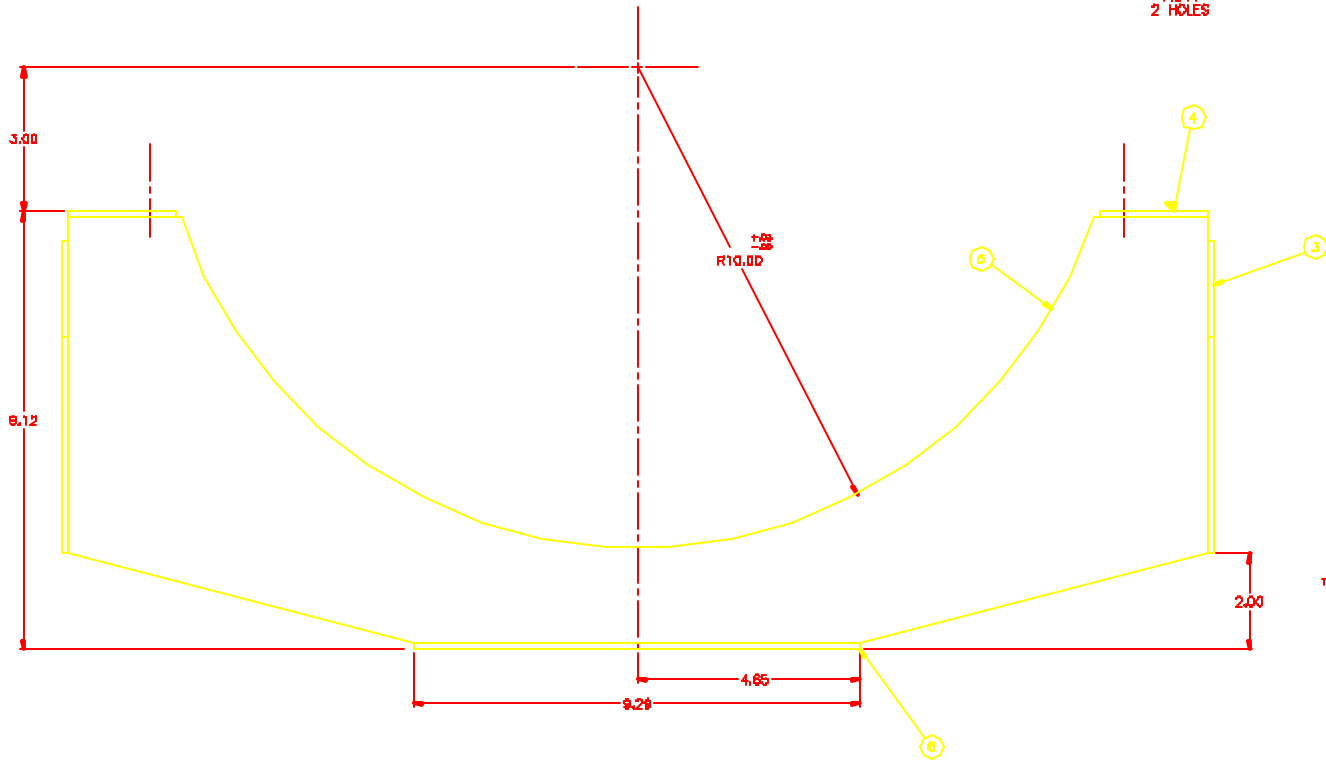
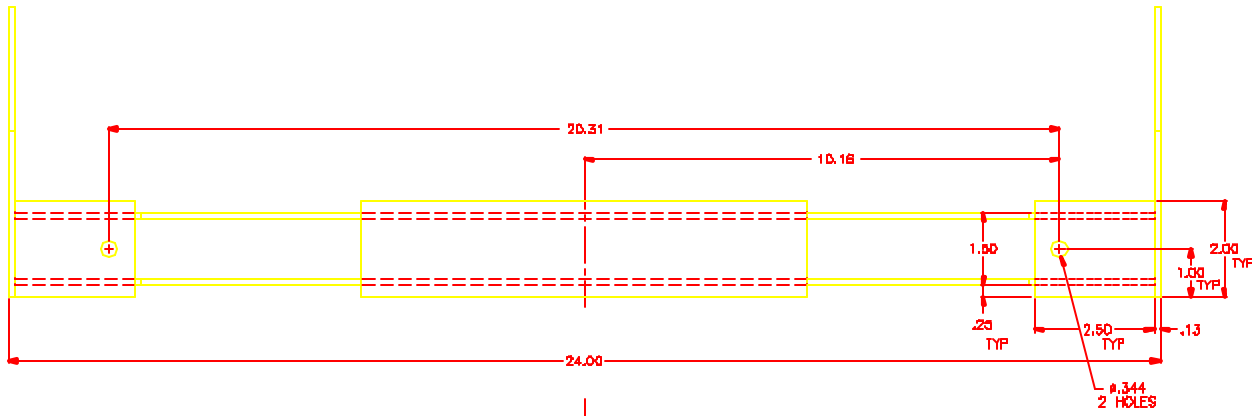


- NOTES: UNLESS OTHERWISE SPECIFIED
1. REMOVE ALL BURRS AND SHARP EDGES $\pm .02$
 2. MACHINED SURFACE ROUGHNESS 1.25
 3. MAT'L SPEC 674
 4. FINISH ONE COAT RED OXIDE PRIMER ALL OVER

REV	DATE	BY	CHK	APP



REV	DATE	BY	CHK	APP	QTY
1					16
2					8
3					4
4					7
5					8
6					4
7					4
8					3
9					1
10					1

NATIONAL OPTICAL ASTRONOMY OBSERVATORY 400 SOUTH UNIVERSITY AVENUE TUCSON, AZ 85724	NATIONAL OPTICAL ASTRONOMY OBSERVATORY LABORATORY OF OPTICS POWER BY JC LABORATORY OF LASER SCIENCE AND OPTICS 1610 EAST ORANGE AVENUE
REV 1 LIBRARY 2150.267E004	REV 1 FILE 1171
REV 1 DATE 04/18/88	REV 1 PART NO 2150.267E008

**MOUNTING BRACKET
- LOWER**