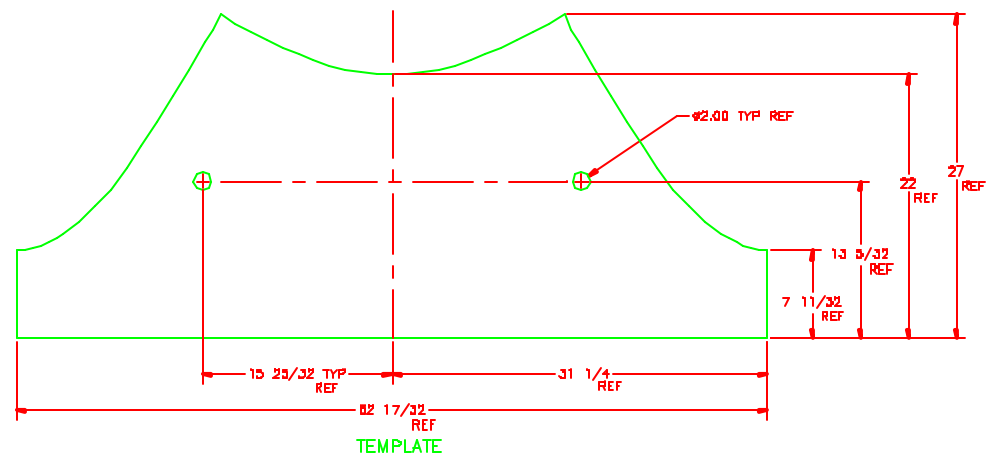
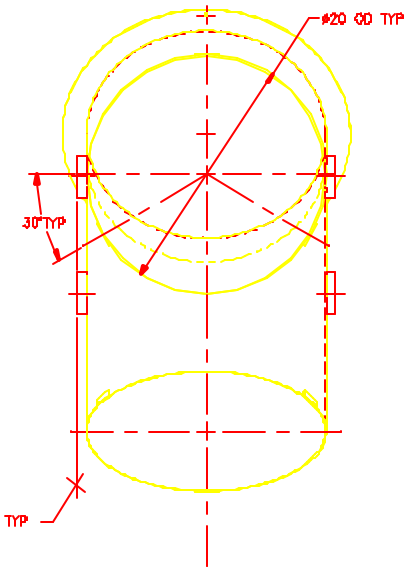
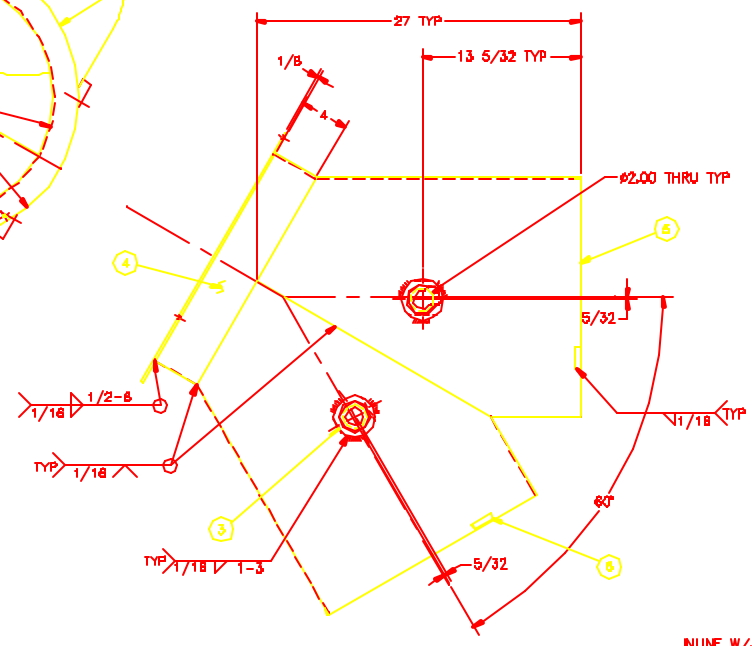
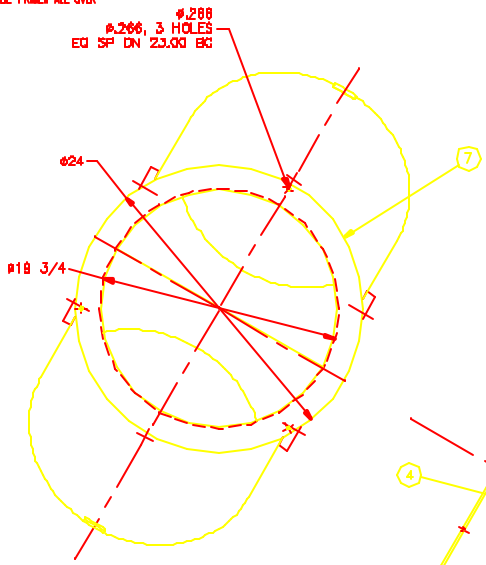


- NOTES: UNLESS OTHERWISE SPECIFIED
1. REMOVE ALL BURRS AND SHARP EDGES
 2. MACHINED SURFACES: ROUGHNESS 1.25
 3. MATH: DEC 1/2"
 4. THERE'S ONE COAT RED OXIDE PRIMER ALL OVER



						16
						8
						4
1	#	1/8 PL X 34 OD X 19 3/4 ID	QMS	DM	7	
8	#	14 BA(.0747) X 1/2 X 2	CRS	DM	8	
3	#	14 BA(.0747) X 37 X 82 17/32	CRS	PA	3	
7	#	14 BA(.0747) X 4 X 82 17/32	CRS	ES	4	
4	#	2 YAG(.0700) BEARING HOUSING-BURR	CRS	DS	3	
1	#	WELDMENT OF ITEMS 3 THRU 7			3	
1	#	WELDMENT OF ITEMS 3 THRU 7			1	1

NATIONAL OPTICAL ASTRONOMY OBSERVATORY
 LABORATORY OF THE UNIVERSITY OF TEXAS AT ARLINGTON
 2150.267E004
VALVE BODY WELDMENT
 2150.267E006