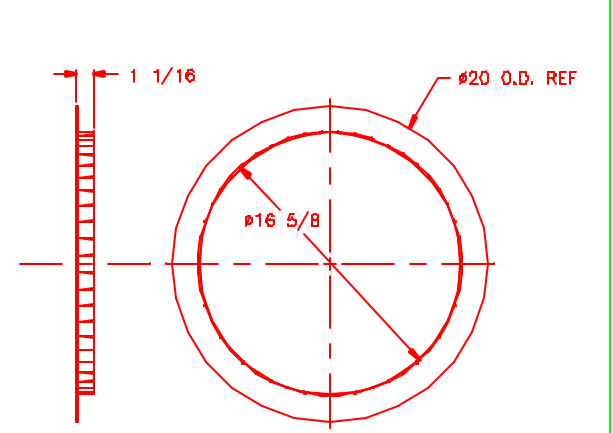
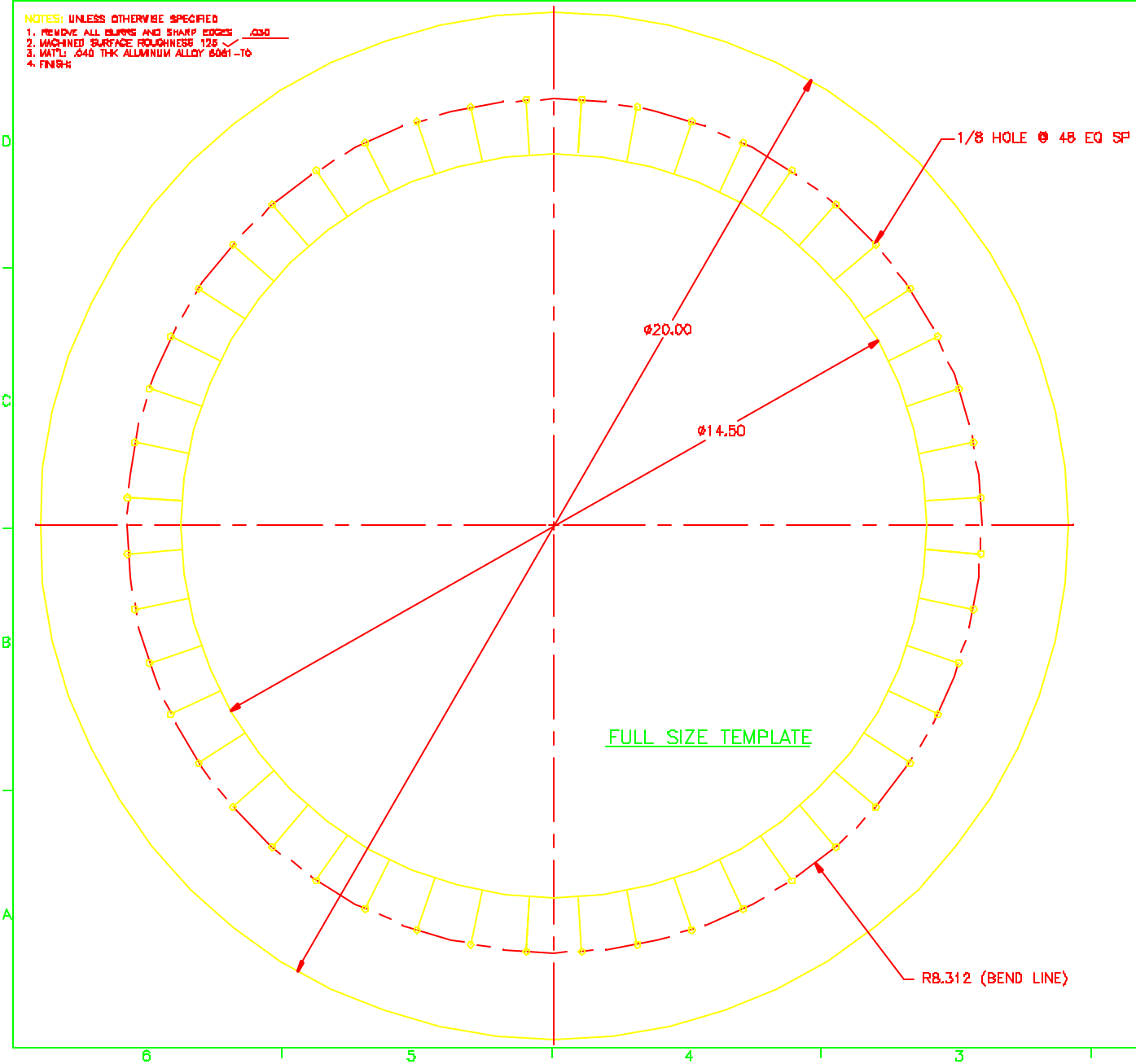


- NOTES: UNLESS OTHERWISE SPECIFIED
1. REMOVE ALL BURRS AND SHARP EDGES .000
 2. MACHINED SURFACE ROUGHNESS 12.5
 3. MAT'L: .040 THK ALUMINUM ALLOY 6061-T6
 4. FINISH

REVISIONS				
DATE	BY	REVISION	APP'D	CHK'D



SCALE 1/4

BY: MM	DATE: 02/10	ISSUED BY: MM	ISSUED DATE: 02/10	CHK: MM	CHK DATE: 02/10
TOLERANCES UNLESS OTHERWISE NOTED			NATIONAL OPTICAL ASTRONOMY OBSERVATORIES		
DIMENSIONS UNLESS OTHERWISE NOTED			OPERATED BY THE		
FRACTIONS ± -			ASSOCIATION OF UNIVERSITIES FOR RESEARCH IN ASTRONOMY		
DECIMALS ± .010			UNDER COOPERATIVE AGREEMENT WITH		
ANGULAR ± 0.50'			NATIONAL SCIENCE FOUNDATION		
NEXT ASSEMBLY	NAME	REF FILE	REV		
2150.267E001	FLANGE-OIL STOP	1171			
DATE: FULL MOUNTED	ISSUED BY: MM	ISSUED DATE: 11/1/88	CHK: MM	CHK DATE: 11/1/88	REV: 1
AUTOCAD: v.14	DATE: 11/1/88	ISSUED BY: MM	CHK: MM	CHK DATE: 11/1/88	REV: 1
FILE NAME: 2150.267D011	DATE: 11/1/88	ISSUED BY: MM	CHK: MM	CHK DATE: 11/1/88	REV: 1