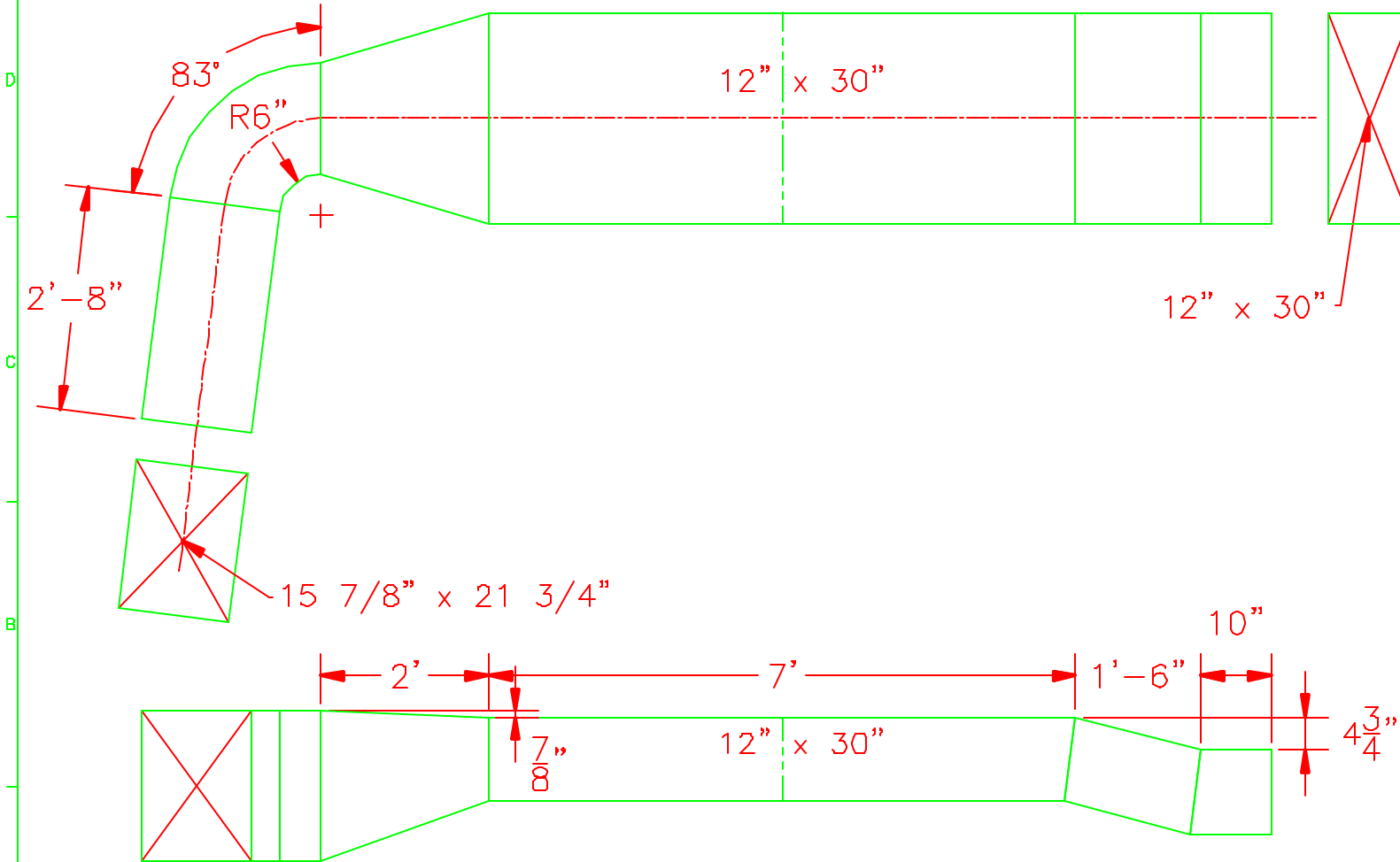


- NOTES: UNLESS OTHERWISE SPECIFIED
1. REMOVE ALL BUMPS AND SHARP EDGES $\pm .000$
 2. MACHINED SURFACE ROUGHNESS 125 ✓
 3. MAT'L: #24 GA GALVANIZED STEEL
 4. DUCT TO BE DELIVERED UNASSEMBLED

| REVISIONS | | | | | |
|-----------|----|--------|------|----|------|
| DATE | BY | REASON | DATE | BY | APPV |
| | | | | | |



| BY | DATE | REVISION | REASON | DATE | BY | APPV |
|----|------|----------|--------|------|----|------|
| | | | | | | |

| | | | |
|--|--|---|--|
| TOLERANCES UNLESS OTHERWISE NOTED DECIMALS FRACTIONS ANGULAR .000 ± .010 ± ± 0°30' | | NATIONAL OPTICAL ASTRONOMY OBSERVATORIES OPERATED BY THE ASSOCIATION OF UNIVERSITIES FOR RESEARCH IN ASTRONOMY UNDER COOPERATIVE AGREEMENT WITH NATIONAL SCIENCE FOUNDATION | |
| NEXT ASSEMBLY 216D.287E001 | | NAME EXHAUST DUCT | |
| 1/28 REVISED AUTOCAD V.14 | | DATE JULY 7/14/98 | |
| 2150.287D007 | | 1171 | |