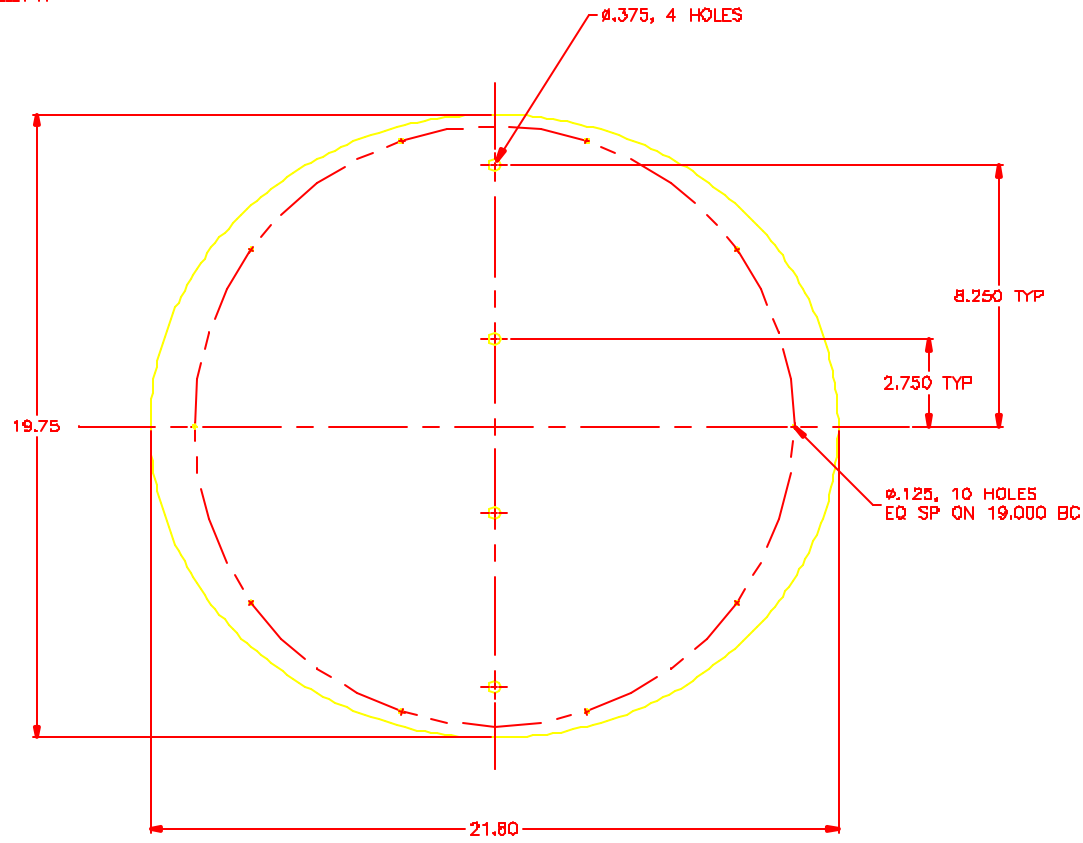


- NOTES: UNLESS OTHERWISE SPECIFIED
1. REMOVE ALL BUMPS AND SHARP EDGES $\pm .000$
 2. MACHINED SURFACE ROUGHNESS 12.6 $\sqrt{R_a}$
 3. MAT'L: .083 THK ALUMINUM ALLOY 2024-T4
 4. FINISH: BLACK ANODIZE

REVISIONS					
DATE	BY	REASON	APP'D	CHK'D	BY



BY	DATE	REVISION	REASON	APP'D	CHK'D

TOLERANCES UNLESS OTHERWISE NOTED DECIMALS ± .005 FRACTIONS ± .001 ANGULAR ± 0.50° .000 ± .010 ± - ± 0.50°		NATIONAL OPTICAL ASTRONOMY OBSERVATORIES OPERATED BY THE ASSOCIATION OF UNIVERSITIES FOR RESEARCH IN ASTRONOMY UNDER COOPERATIVE AGREEMENT WITH NATIONAL SCIENCE FOUNDATION	
NEXT ASSEMBLY 2150.2870D03		NAME DAMPER PLATE	
DATE 1/2		REV 1171	
PART NUMBER 2150.2870D03		DATE 05/12/88	
REV 1		PART NUMBER 2150.2870D005	