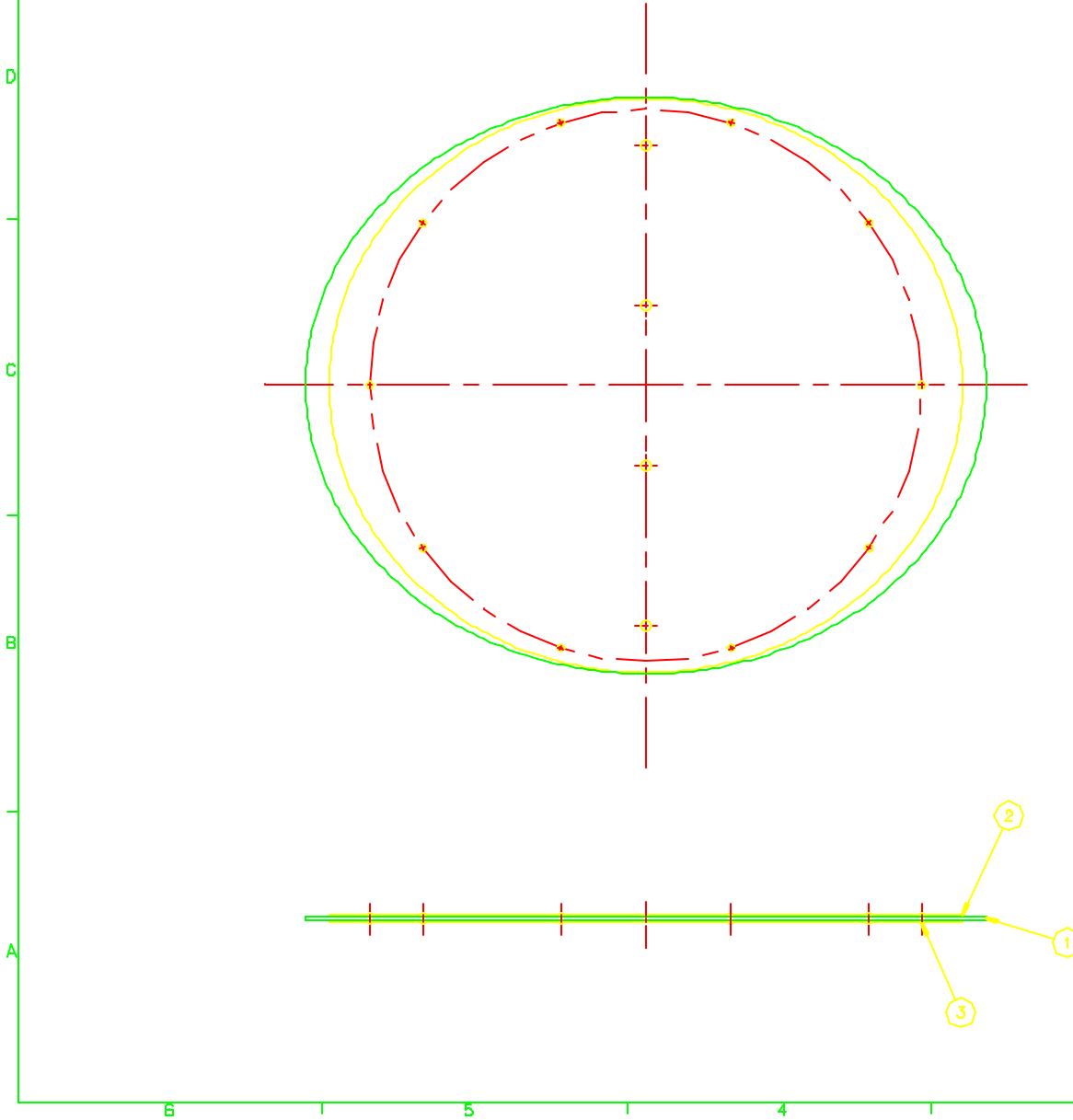


NOTES: UNLESS OTHERWISE SPECIFIED
 1. REMOVE ALL BUMPS AND SHARP EDGES $\sqrt{.000}$
 2. MACHINED SURFACE ROUGHNESS 12.6 $\sqrt{\text{ }}$

REVISED					
DATE	BY	REVISION	DATE	BY	APPV.



QTY	DESCRIPTION	UNIT	QTY	DESCRIPTION	UNIT
10	STOCK	1/8 DIA X 3/8 LG BLTTON HD RMET	ALUM	3	3
2	2150.267D008	DAMPER PLATE	X	2	2
1	2150.267D004	DAMPER RUBBER	X	1	1

BY	DATE	APPROVED	DATE

TOLERANCES UNLESS OTHERWISE NOTED		NATIONAL OPTICAL ASTRONOMY OBSERVATORIES	
DECIMALS	FRACTIONS	OPERATED BY THE	
.001 \pm .002	$\frac{1}{16}$ -	ASSOCIATION OF UNIVERSITIES FOR RESEARCH IN ASTRONOMY	
.0001 \pm .0010	$\frac{1}{64}$ -	UNDER DISCREETARY AGREEMENT WITH	
		NATIONAL SCIENCE FOUNDATION	

NEXT ASSEMBLY	NAME	REP FILE
2150.267E004	DAMPER ASSY	1171
		REP IN

REV	DATE	BY	DESCRIPTION	APPV	DATE
1/2	REVISED				
2					

2150.267D003