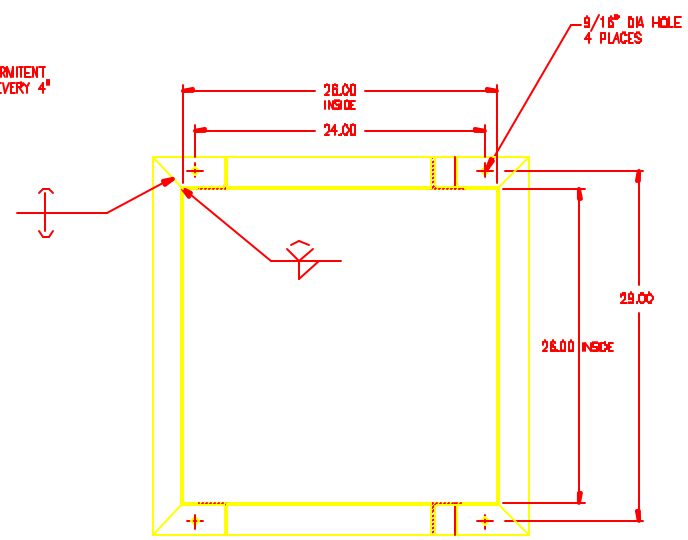
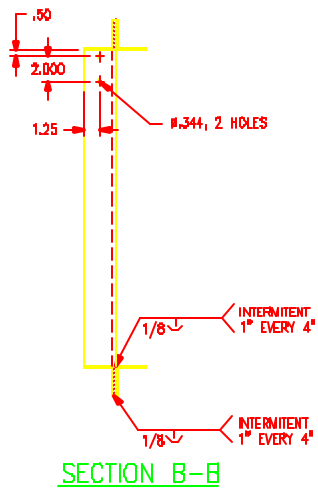
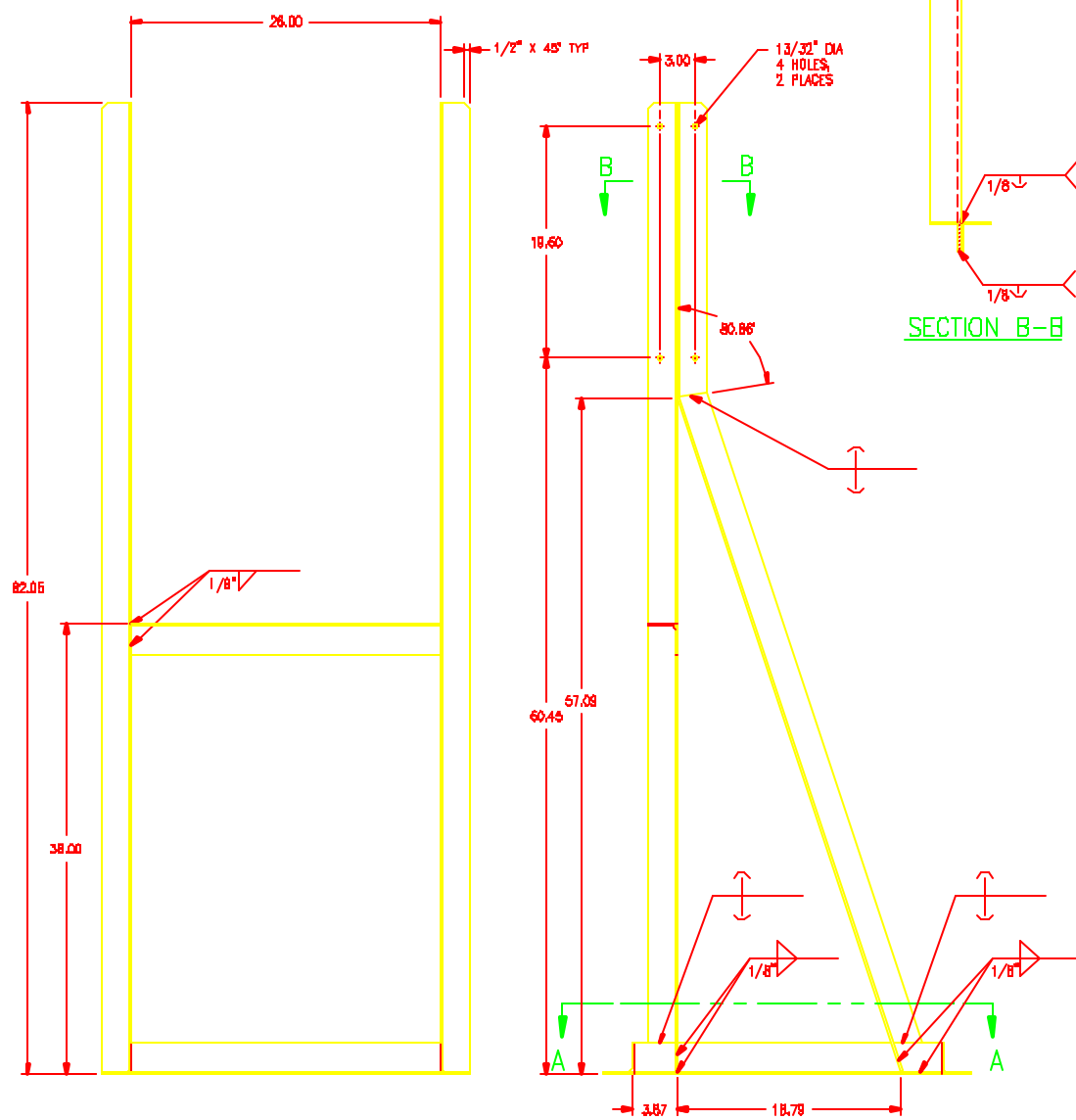


- NOTES: UNLESS OTHERWISE SPECIFIED**
1. REMOVE ALL BURRS AND SHARP EDGES $\pm .015$
 2. MACHINED SURFACE ROUGHNESS 125 ✓
 3. MAT'L: 2 1/2 x 2 1/2 x 3/16 STEEL ANGLE
 4. FINISH: RED OXIDE PRIMER, TOP COAT: FLAT BLACK

REVISIONS						
ZONE	LTR	DESCRIPTION	EDR	DATE	BY	APPRV



QTY REQD	PART OR IDENTIFYING NO	DESCRIPTION	MATERIAL/SPECIFICATION	ZONE	ITEM NO
<p>TOLERANCES UNLESS OTHERWISE NOTED</p> <p>DECIMALS .XX ± .03 FRACTIONS ± - ANGULAR ± 0'30"</p> <p>NATIONAL OPTICAL ASTRONOMY OBSERVATORIES OPERATED BY THE ASSOCIATION OF UNIVERSITIES FOR RESEARCH IN ASTRONOMY UNDER COOPERATIVE AGREEMENT WITH NATIONAL SCIENCE FOUNDATION</p>					
NEXT ASSEMBLY 2150.267E004		NAME VALVE SUPPORT FRAME		REF FILE 1171	
SCALE 1/8		DESIGNED BY J.HOEY	DATE 04/27/99	APPROVED BY	DATE
DRAWING PREPARED USING AUTOCAD v.14		CHECKED BY	DATE	APPROVED BY	DATE
PRINT REVIEW		DATE	APPROVED BY	DATE	RELEASED
2150.267C016				SHEET	OF