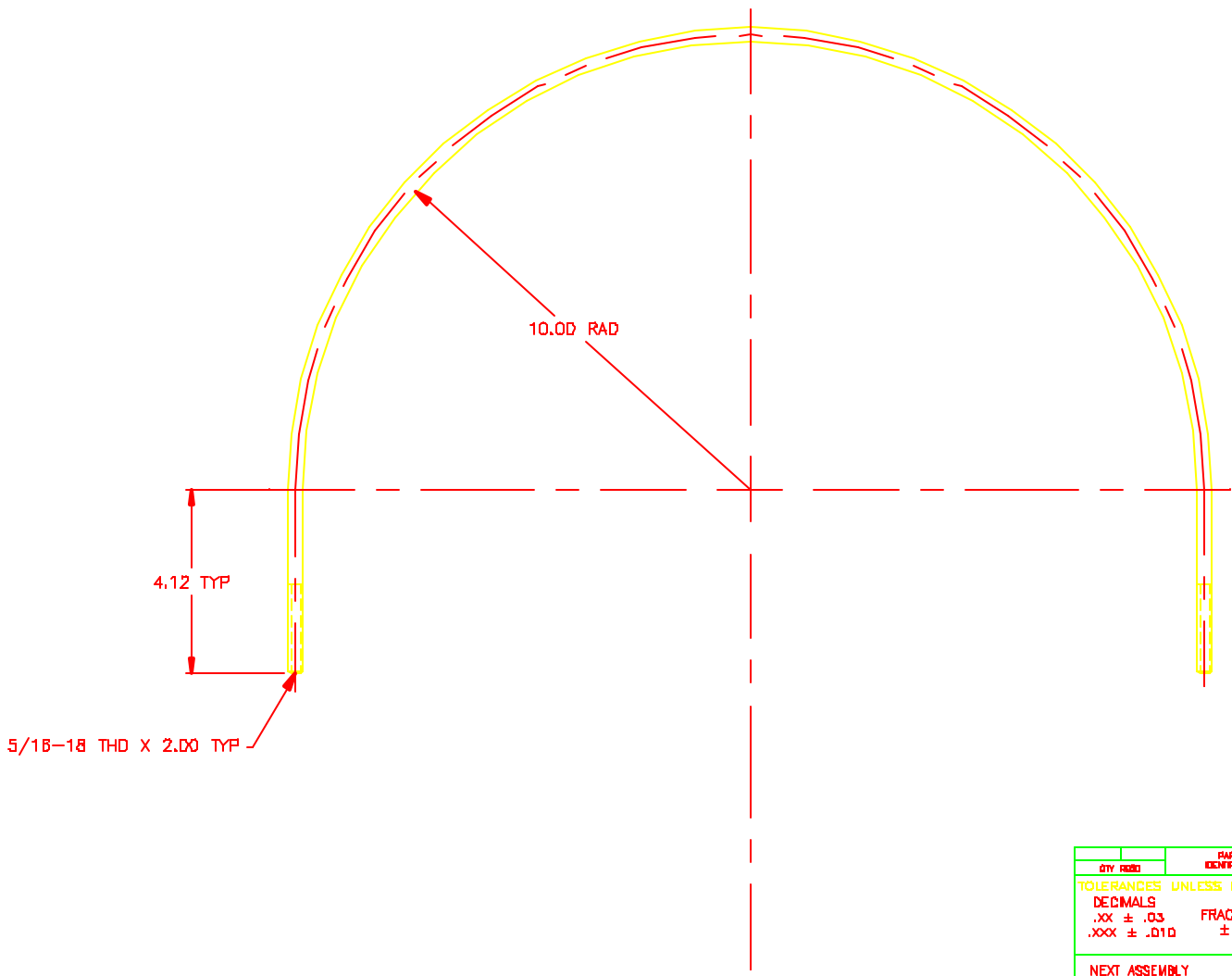


NOTES: UNLESS OTHERWISE SPECIFIED

1. REMOVE ALL BURRS AND SHARP EDGES .015
2. MACHINED SURFACE ROUGHNESS 125 ✓
3. MAT'L: 5/16 DIA ROD X 40.00 LG -COLD ROLLED STEEL
4. FINISH:

REVISIONS						
ZONE	LTR	DESCRIPTION	EDR	DATE	BY	APPRV



QTY REQD	PART OR IDENTIFYING NO	DESCRIPTION	MATERIAL/SPECIFICATION	ZONE	ITEM NO
TOLERANCES UNLESS OTHERWISE NOTED		NATIONAL OPTICAL ASTRONOMY OBSERVATORIES			
DECIMALS .XX ± .03		OPERATED BY THE			
FRACTIONS .XXX ± .010		ASSOCIATION OF UNIVERSITIES FOR RESEARCH IN ASTRONOMY			
ANGULAR ± °'30"		UNDER COOPERATIVE AGREEMENT WITH			
		NATIONAL SCIENCE FOUNDATION			
NEXT ASSEMBLY 2150.267E004	NAME MOUNTING BRACKET -STRAP	REF FILE 1171	USED ON		
SCALE 1/2	DESIGNED BY J. HOEY	DATE 04/28/89	APPROVED BY	DATE	DWG NO 2150.267C015
DRAWING PRODUCED USING AUTOCAD v.14	DRAWN BY	CHECKED BY	DATE	APPROVED BY	DATE
PRINT REVIEW					RELEASED
				SHEET	OF