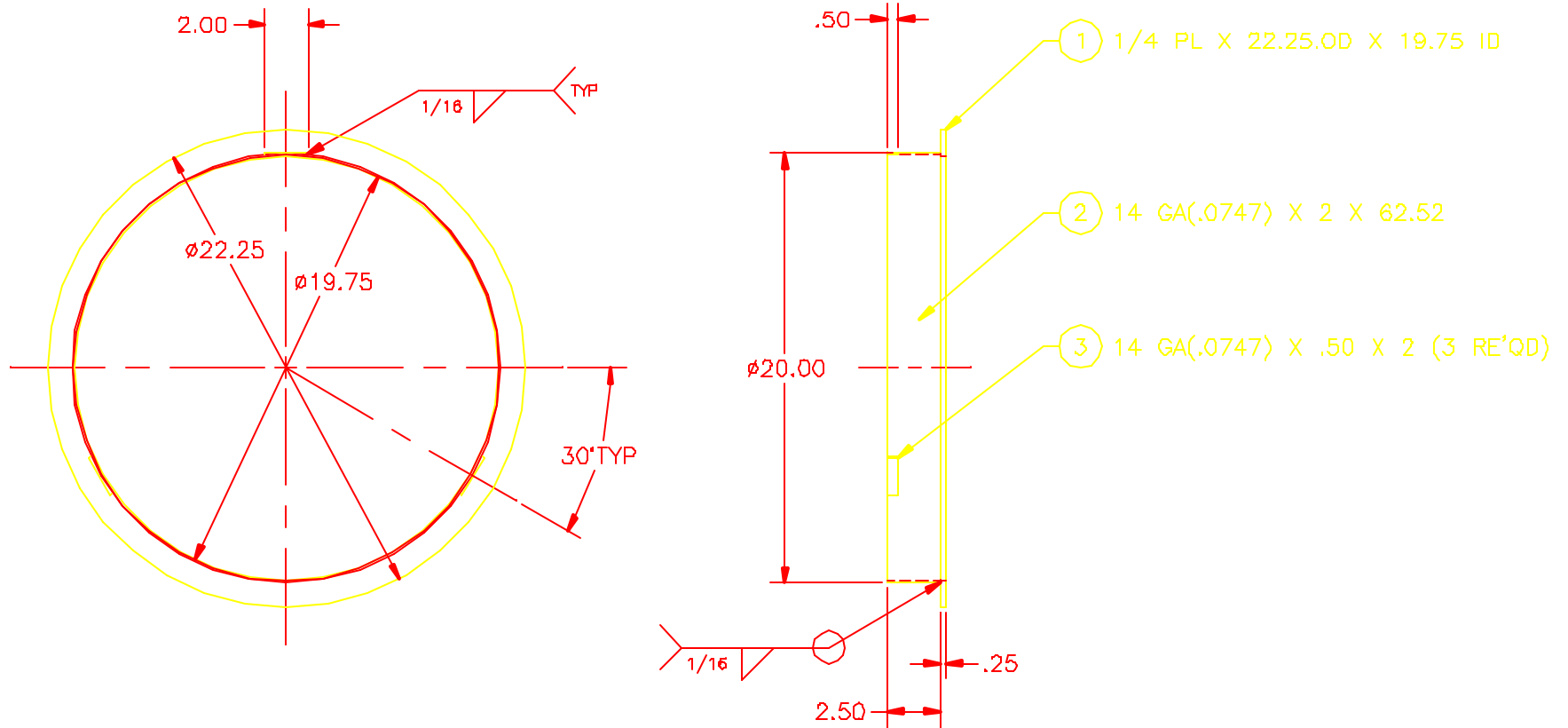


- NOTES: UNLESS OTHERWISE SPECIFIED
1. REMOVE ALL BURRS AND SHARP EDGES $\pm .015$
 2. MACHINED SURFACE ROUGHNESS 125 ✓
 3. MAT'L: COLD ROLLED STEEL
 4. FINISH: ONE COAT RED OXIDE PRIMER ALL OVER

REVISIONS						
ZONE	LTR	DESCRIPTION	EDR	DATE	BY	APPR



QTY REQD	PART OR IDENTIFYING NO	DESCRIPTION	MATERIAL/SPECIFICATION	ZONE	ITEM NO
TOLERANCES UNLESS OTHERWISE NOTED		NATIONAL OPTICAL ASTRONOMY OBSERVATORIES			
DECIMALS .XX ± .03		OPERATED BY THE			
FRACTIONS .XXX ± .010		ASSOCIATION OF UNIVERSITIES FOR RESEARCH IN ASTRONOMY			
ANGULAR ± 0'30"		UNDER COOPERATIVE AGREEMENT WITH NATIONAL SCIENCE FOUNDATION			
NEXT ASSEMBLY 2150.267C014		NAME ROTATING FLANGE WELDMENT		REF FILE 1171	
SCALE 1/4		DESIGNED BY J.HOEY		USED ON	
DRAWING PRODUCED USING AUTOCAD v.14		DATE 04/28/99		DRAW NO 2150.267C013	
PRINT REVIEW		CHECKED BY		APPROVED BY	
		DATE		DATE	
		APPROVED BY		DATE	
		RELEASED		SHEET OF	