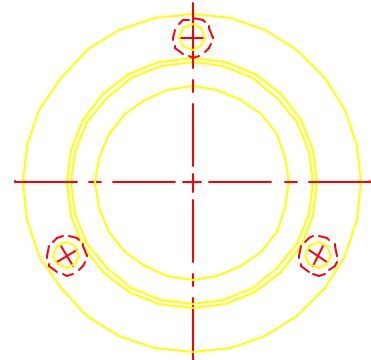
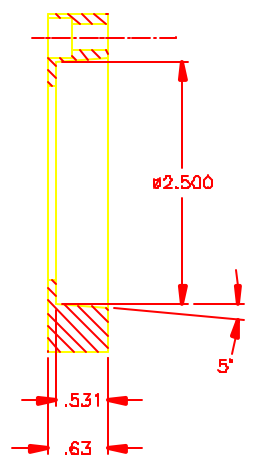
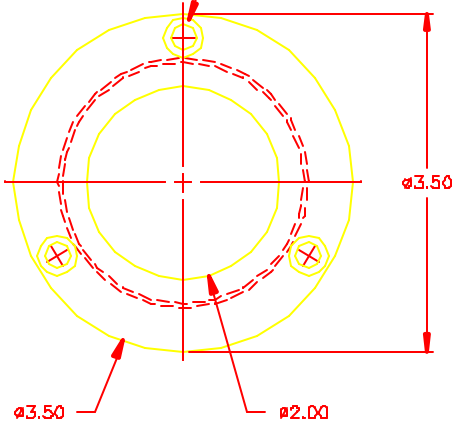


**NOTES: UNLESS OTHERWISE SPECIFIED**

- 1. REMOVE ALL BURRS AND SHARP EDGES .015
- 2. MACHINED SURFACE ROUGHNESS 125 ✓
- 3. MAT'L: COLD ROLLED STEEL 1010-1020
- 4. FINISH:

REVISIONS					
ZONE	LTR	DESCRIPTION	EDR	DATE	BY / APPV

DRILL & C'BORE FOR  
1/4 SQC HD CAP SCR  
3 HOLES, EQ SP  
ON 3.000 B.C.



QTY REQD	PART OR IDENTIFYING NO	DESCRIPTION	MATERIAL/SPECIFICATION	ZONE	ITEM NO
TOLERANCES UNLESS OTHERWISE NOTED		NATIONAL OPTICAL ASTRONOMY OBSERVATORIES			
DECIMALS .XX ± .03		OPERATED BY THE			
FRACTIONS .XXX ± .010		ASSOCIATION OF UNIVERSITIES FOR RESEARCH IN ASTRONOMY			
ANGULAR ± °'30"		UNDER COOPERATIVE AGREEMENT WITH			
		NATIONAL SCIENCE FOUNDATION			
NEXT ASSEMBLY 2150.267E004		NAME <b>BEARING HOUSING- OUTER</b>		REF FILE 1171	
				USED ON	
SCALE FULL	DESIGNED BY J.HOEY	DATE 05/03/99	APPROVED BY	DATE	DWG NO 2150.267C009
DRAWING PRODUCED USING AUTOCAD v.14	CHECKED BY	DATE	APPROVED BY	DATE	REV
PRINT REVIEW					SHEET OF