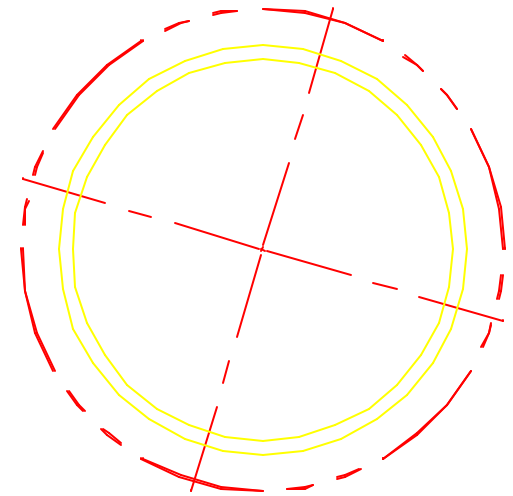
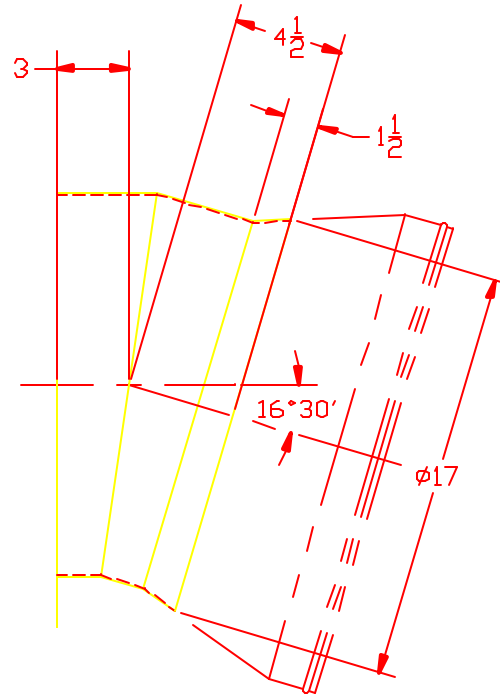
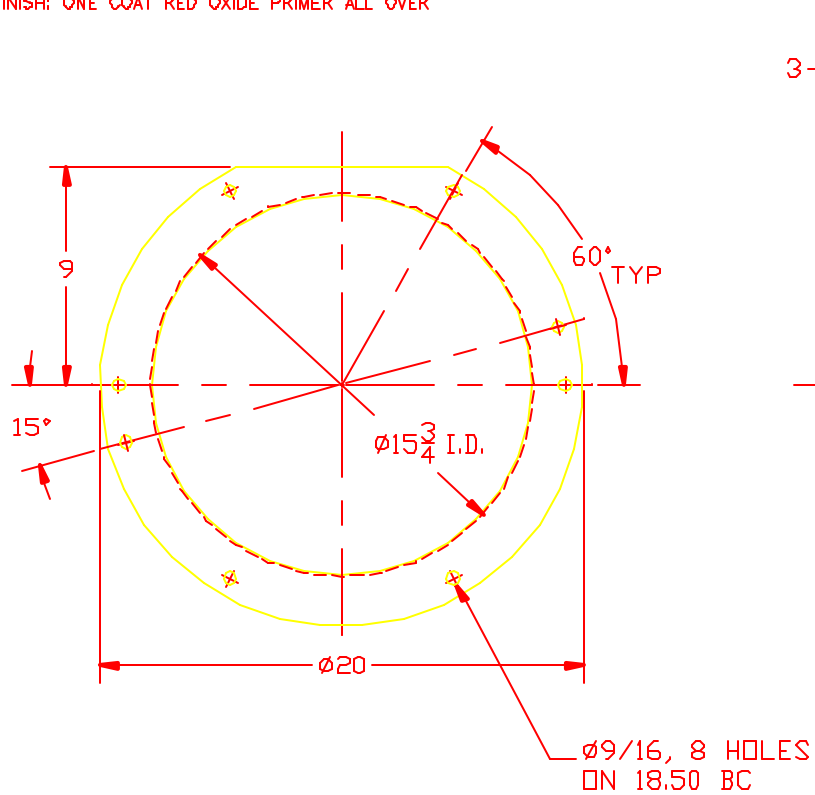


- NOTES:** UNLESS OTHERWISE SPECIFIED
1. REMOVE ALL BURRS AND SHARP EDGES
 2. MAT'L: 22 GA(.0336) STEEL SHEET
 3. FINISH: ONE COAT RED OXIDE PRIMER ALL OVER

REVISIONS						
ZONE	LTR	DESCRIPTION	EDR	DATE	BY	APPRV
	A	SHORTENED BELL END Ø 1/2"				
		ADDED FLAT @ 9.00		11/3/99	JH	
		Ø HOLES WAS 4 HOLES				



QTY REQD	PART OR IDENTIFYING NO	DESCRIPTION	MATERIAL/SPECIFICATION	ZONE	ITEM NO
TOLERANCES UNLESS OTHERWISE NOTED		NATIONAL OPTICAL ASTRONOMY OBSERVATORIES			
DECIMALS		OPERATED BY THE			
.XX ± .03		ASSOCIATION OF UNIVERSITIES FOR RESEARCH IN ASTRONOMY			
.XXX ± .010		UNDER COOPERATIVE AGREEMENT WITH			
		NATIONAL SCIENCE FOUNDATION			
NEXT ASSEMBLY 2150.267E001		NAME SOUTH JOURNAL HOSE FLANGE-OUT		REF FILE 1171	
				USED ON	
SCALE 1/4 & NOTED	DESIGNED BY J.HOEY	DATE 05/14/99	APPROVED BY	DATE	DWG NO 2150.267C005 A
DRAWING PRODUCED USING AUTOCAD v.14	CHECKED BY	DATE	APPROVED BY	DATE	REV A
PRINT REVIEW					SHEET OF