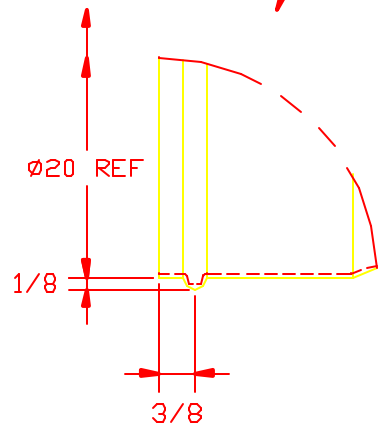
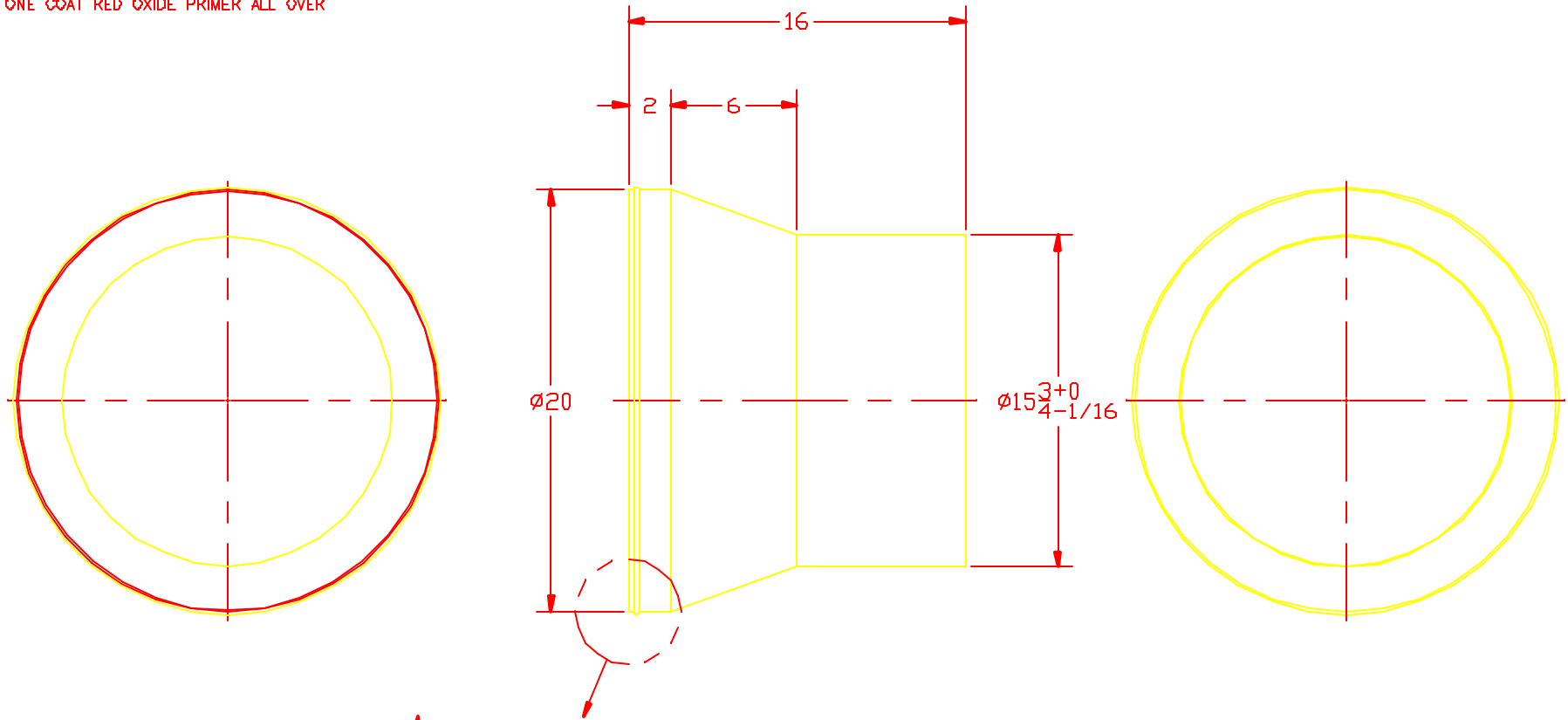


- NOTES: UNLESS OTHERWISE SPECIFIED
1. REMOVE ALL BURRS AND SHARP EDGES
 2. MAT'L: 22 GA(.0336) STEEL SHEET
 3. FINISH: ONE COAT RED OXIDE PRIMER ALL OVER

REVISIONS					
ZONE	LTR	DESCRIPTION	EDR	DATE	BY



DETAIL
FULL SCALE

QTY REQD	PART OR IDENTIFYING NO	DESCRIPTION	MATERIAL/SPECIFICATION	ZONE	ITEM NO
<p>TOLERANCES UNLESS OTHERWISE NOTED</p> <p>DECIMALS .XX ± .03 FRACTIONS ± 1/16 ANGULAR ± 0°30'</p> <p>NATIONAL OPTICAL ASTRONOMY OBSERVATORIES OPERATED BY THE ASSOCIATION OF UNIVERSITIES FOR RESEARCH IN ASTRONOMY UNDER COOPERATIVE AGREEMENT WITH NATIONAL SCIENCE FOUNDATION</p>					
NEXT ASSEMBLY 2150.267E001		NAME SOUTH JOURNAL HOSE FLANGE-IN		REF FILE 1171	
SCALE 1/4 & NOTED		DESIGNED BY J.HOEY	DATE 05/14/99	APPROVED BY	DATE
DRAWING PRODUCED USING AUTOCAD v.14		CHECKED BY	DATE	APPROVED BY	DATE
PRINT REVIEW		DATE	APPROVED BY	DATE	RELEASED
2150.267C004				SHEET	OF