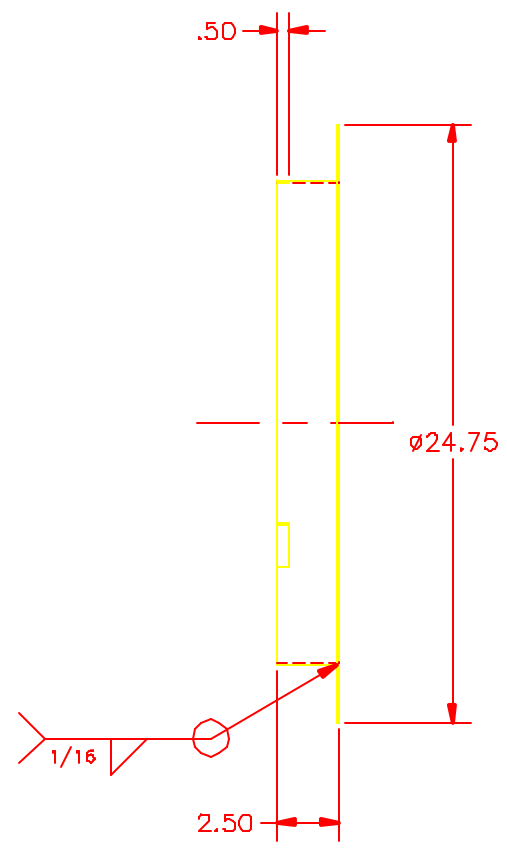
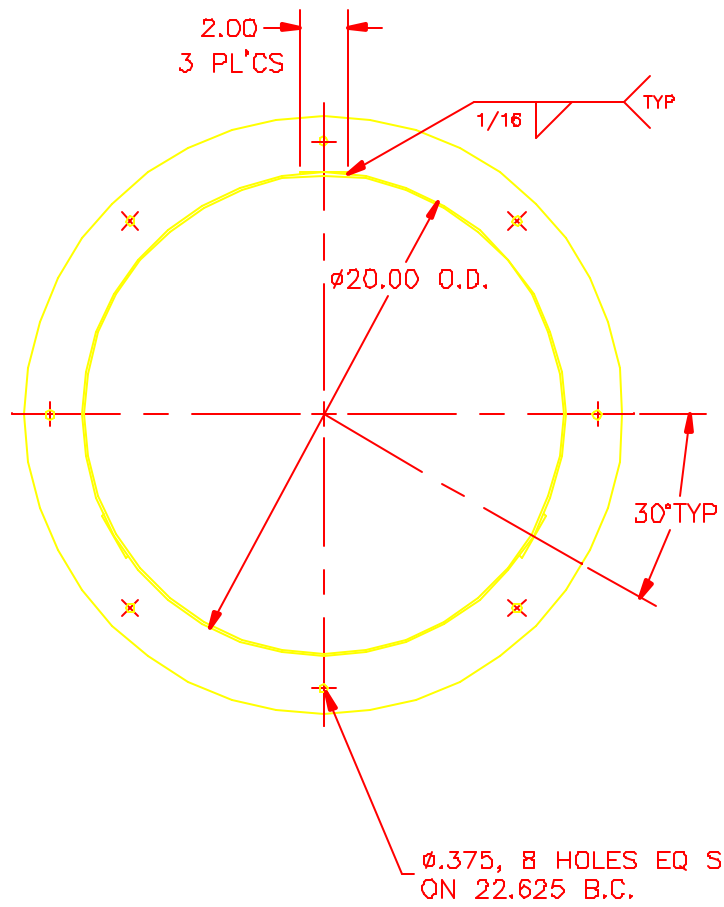


NOTES: UNLESS OTHERWISE SPECIFIED

1. REMOVE ALL BURRS AND SHARP EDGES .015
2. MACHINED SURFACE ROUGHNESS 125 ✓
3. MAT'L: 14 GA (.0747) COLD ROLLED STEEL
4. FINISH: ONE COAT RED OXIDE PRIMER ALL OVER

REVISIONS						
ZONE	LTR	DESCRIPTION	EDR	DATE	BY	APPR



QTY REQD	PART OR IDENTIFYING NO	DESCRIPTION	MATERIAL/SPECIFICATION	ZONE	ITEM NO
TOLERANCES UNLESS OTHERWISE NOTED		NATIONAL OPTICAL ASTRONOMY OBSERVATORIES			
DECIMALS		OPERATED BY THE			
.XX ± .03	FRACTIONS	ANGULAR	ASSOCIATION OF UNIVERSITIES FOR RESEARCH IN ASTRONOMY		
.XXX ± .010	± -	± 0'30"	UNDER COOPERATIVE AGREEMENT WITH		
			NATIONAL SCIENCE FOUNDATION		
NEXT ASSEMBLY		NAME		REF FILE	
2150.267E001		BLOWER FLANGE - AIR IN		1171	
				USED ON	
SCALE	DESIGNED BY	DATE	APPROVED BY	DATE	DWG NO
1/4	J.HOEY	04/28/99			2150.267C002
DRAWING PRODUCED USING	DRAWN BY	DATE	APPROVED BY	DATE	
AUTOCAD v.14	J.HOEY	04/28/99			
PRINT REVIEW	CHECKED BY	DATE	APPROVED BY	DATE	RELEASED
					SHEET OF