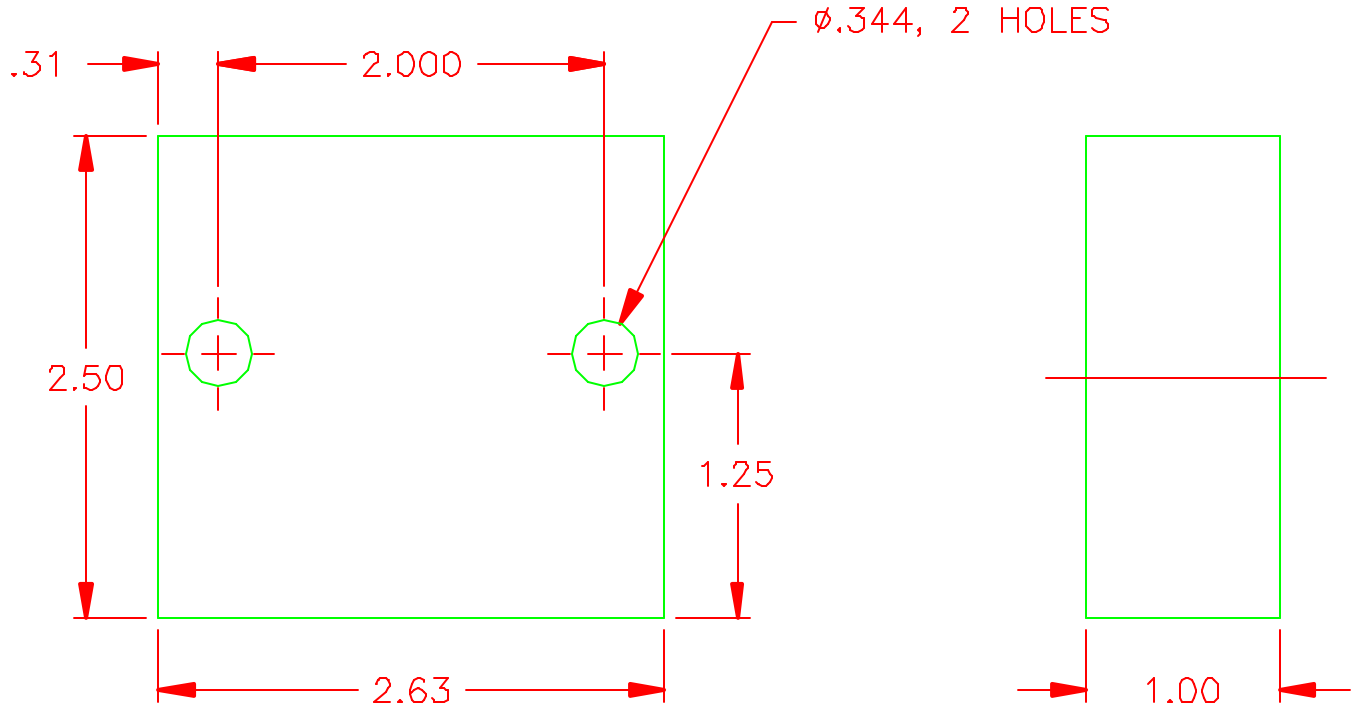


NOTES: UNLESS OTHERWISE SPECIFIED

- 1. REMOVE ALL BURRS AND SHARP EDGES .010 R MAX
- 2. MACHINED SURFACE ROUGHNESS 125 ✓
- 3. MAT'L: ALUMINUM ALLOY
- 4. FINISH: BLACK ANODIZE

REVISIONS

LTR	DESCRIPTION	ECR	DATE	BY	APRV
-----	-------------	-----	------	----	------



TOLERANCES UNLESS OTHERWISE NOTED
 DECIMALS FRACTIONS ANGULAR
 .XX ± .03 ± - ± 0°30'
 .XXX ± .010

NATIONAL OPTICAL ASTRONOMY OBSERVATORIES
 OPERATED BY THE
 ASSOCIATION OF UNIVERSITIES FOR RESEARCH IN ASTRONOMY
 UNDER COOPERATIVE AGREEMENT WITH
 NATIONAL SCIENCE FOUNDATION

NEXT ASSEMBLY 2150.267E004	NAME SPACER-ACTUATOR				REF FILE 1171	
					USED ON	
SCALE FULL	DESIGNED BY	DATE	APPROVED BY	DATE	DWG NO 2150.267A005	REV
DRAWING PRODUCED USING AUTOCAD v.14	DRAWN BY J.HOEY	DATE 07/20/99	APPROVED BY	DATE		
ISSUED	CHECKED BY	DATE	APPROVED BY	DATE	RELEASED	SHEET OF